



EST. 2000

STONE UK

STONE, TILE & TIMBER SPECIALIST



STANDARD SIZE MASONRY FINISHES TEMPLATES
2024 COLLECTION

STANDARD SIZE MASONRY

Standard Size Masonry Finish Selections

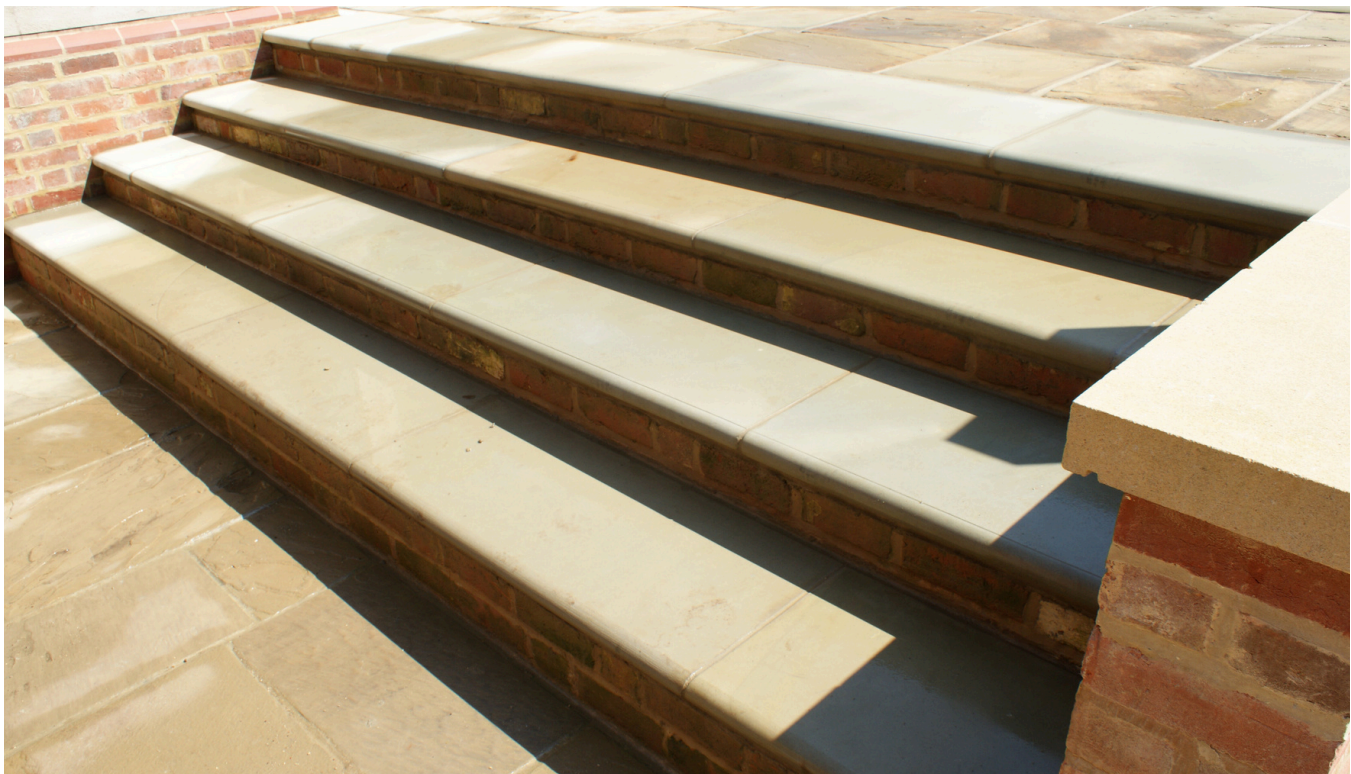
For a more cost-effective solution and reduced lead times, we recommend selecting from our range of standardized masonry finishes. These options are available in pre-set sizes, allowing for streamlined production processes and quicker delivery schedules.

Once you provide the desired standard masonry finish size, we will send you a quote.

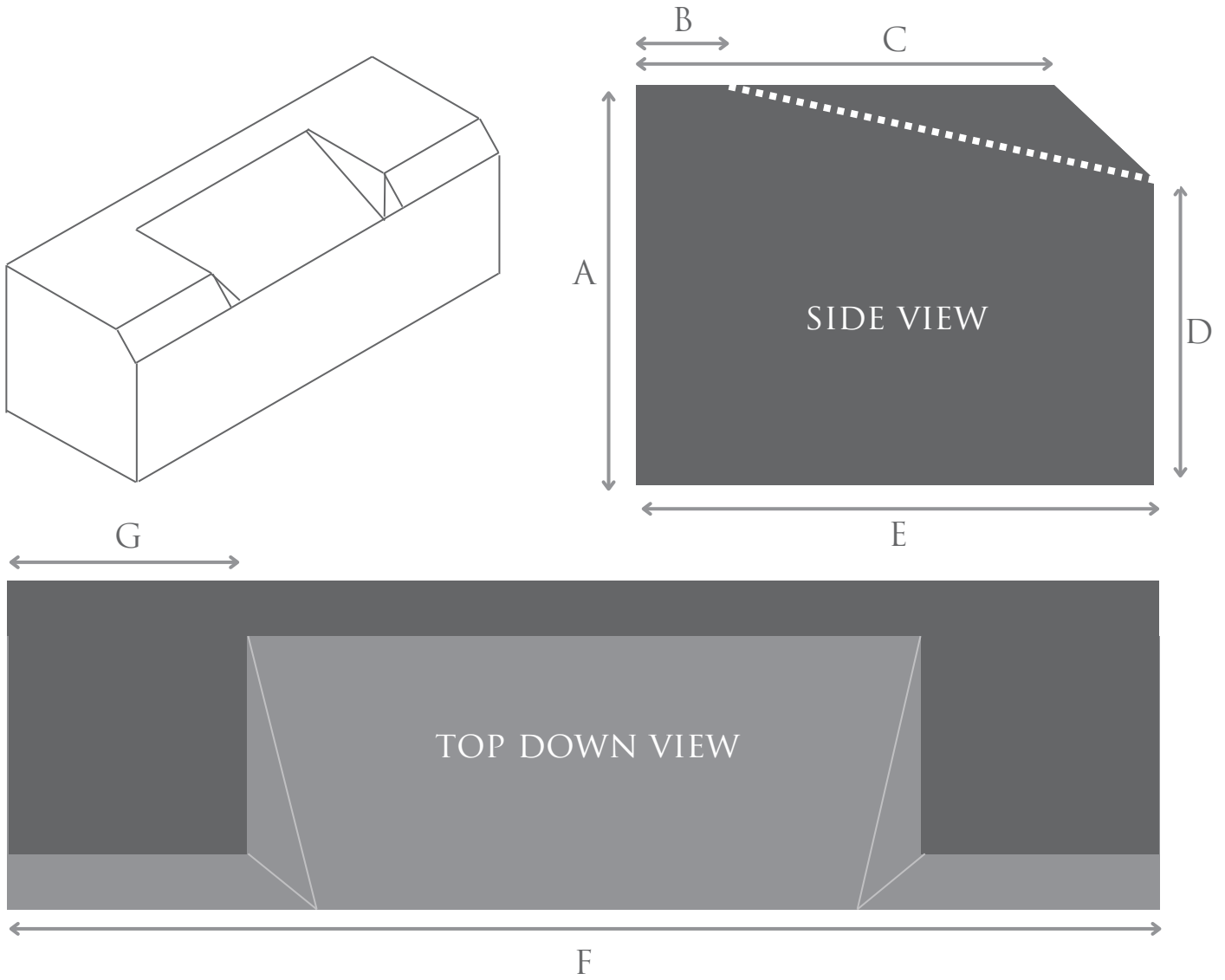
FOR BESPOKE SIZING, CONTACT US ON:

TEL: 01995 600551

EMAIL: INFO@STONEUK.COM

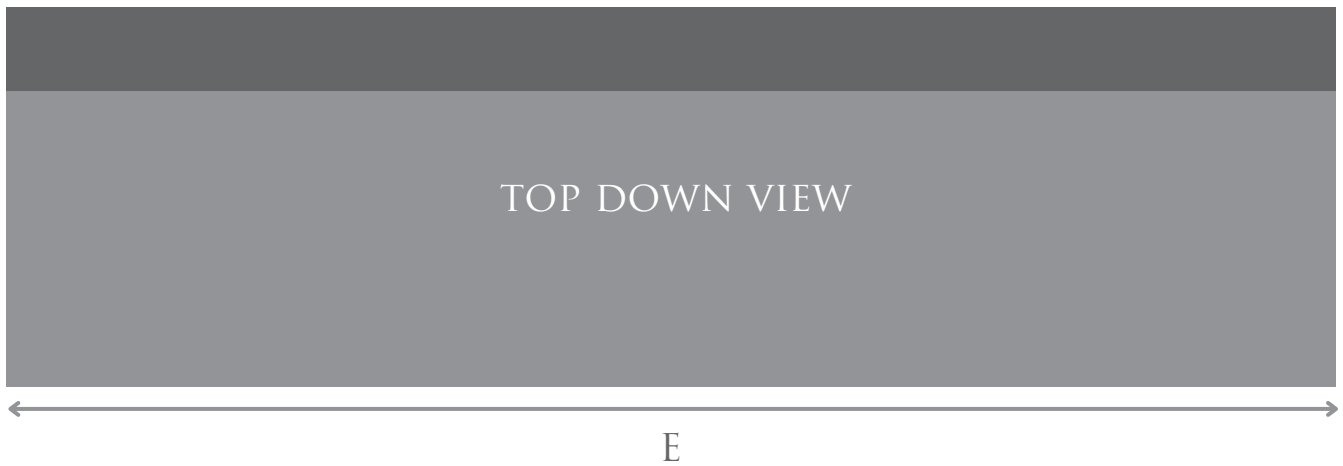
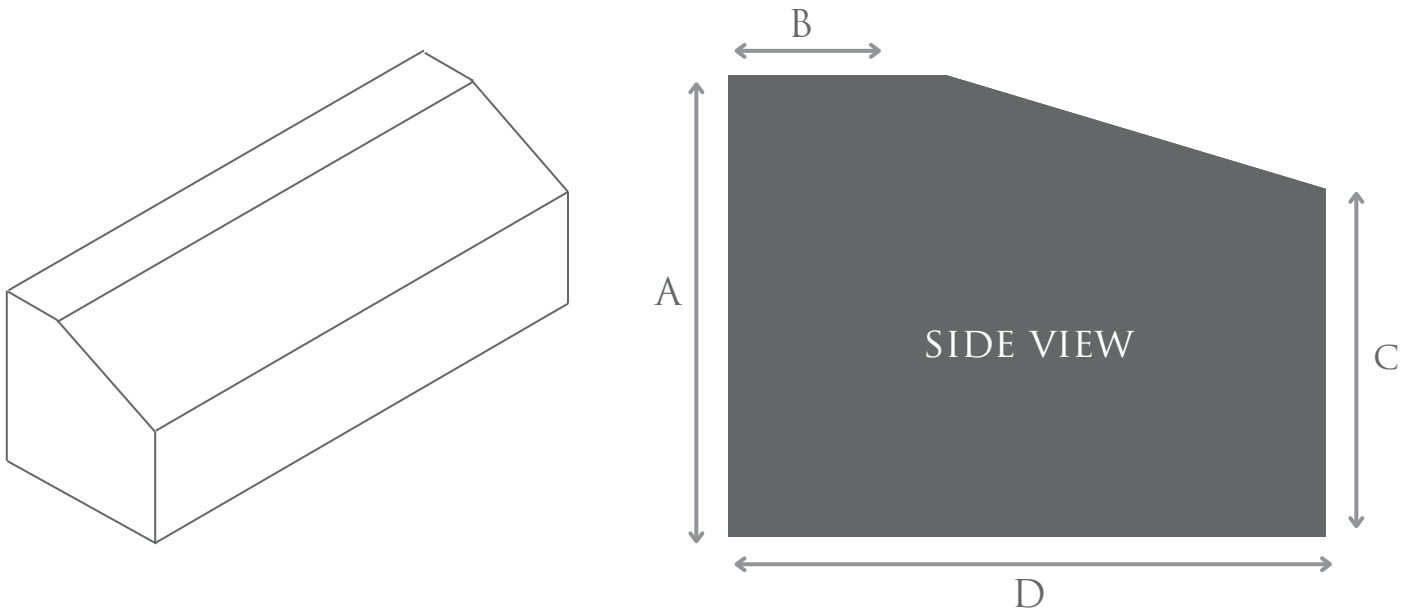


STOOLED CILL SIZING



	SIZE IN MM	
A	140MM	
B	30MM	
C	100MM	
D	120MM	
E	150MM	
F	<input type="text"/>	MAX LENGTH UP TO 2100MM
G	100MM <input type="checkbox"/>	150MM <input type="checkbox"/>
QUANTITY	<input type="text"/>	
DRIP GROOVE	YES <input type="checkbox"/>	NO <input type="checkbox"/>

SLIP CILL SIZING



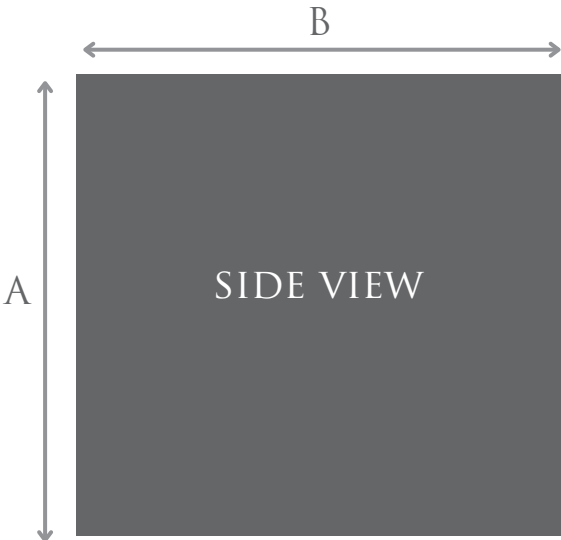
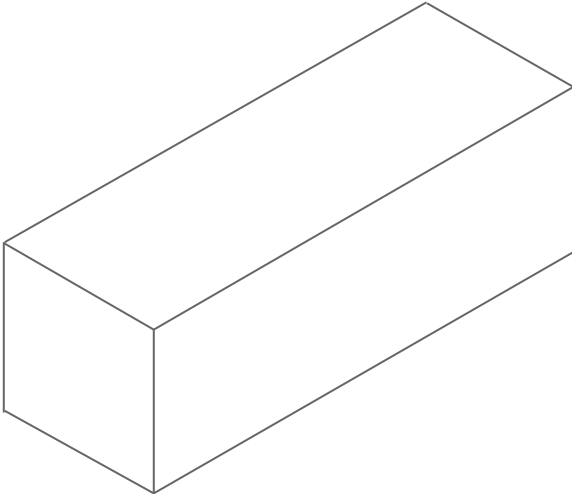
	SIZE IN MM	
A	140MM	
B	50MM	
C	120MM	
D	150MM	
E	<input type="text"/>	MAX LENGTH UP TO 2100MM
QUANTITY	<input type="text"/>	
DRIP GROOVE	YES <input type="checkbox"/> NO <input type="checkbox"/>	

FOR BESPOKE SIZING, CONTACT US ON:

TEL: 01995 600551

EMAIL: INFO@STONEUK.COM

SAWN CILLS SIZING



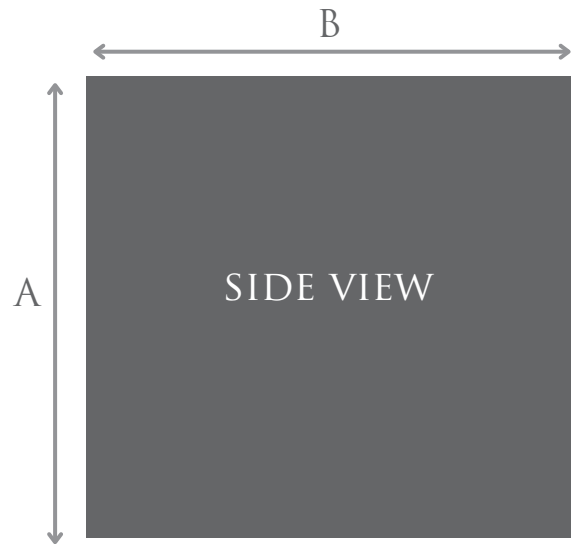
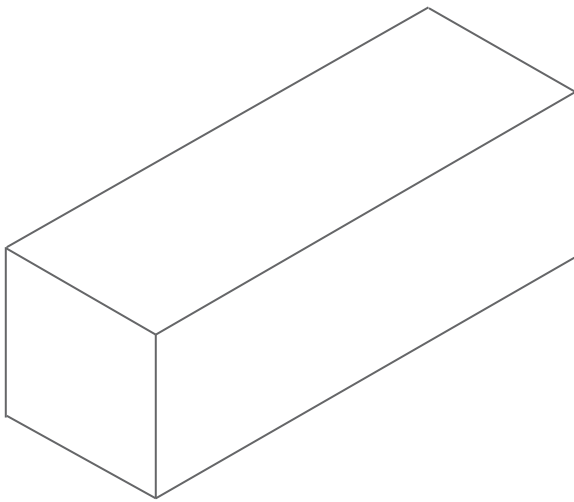
	SIZE IN MM	
A	140MM	
B	150MM	
C	<input type="text"/>	MAX LENGTH UP TO 2100MM
QUANTITY	<input type="text"/>	

FOR BESPOKE SIZING, CONTACT US ON:

TEL: 01995 600551

EMAIL: INFO@STONEUK.COM

SAWN LINTEL SIZING



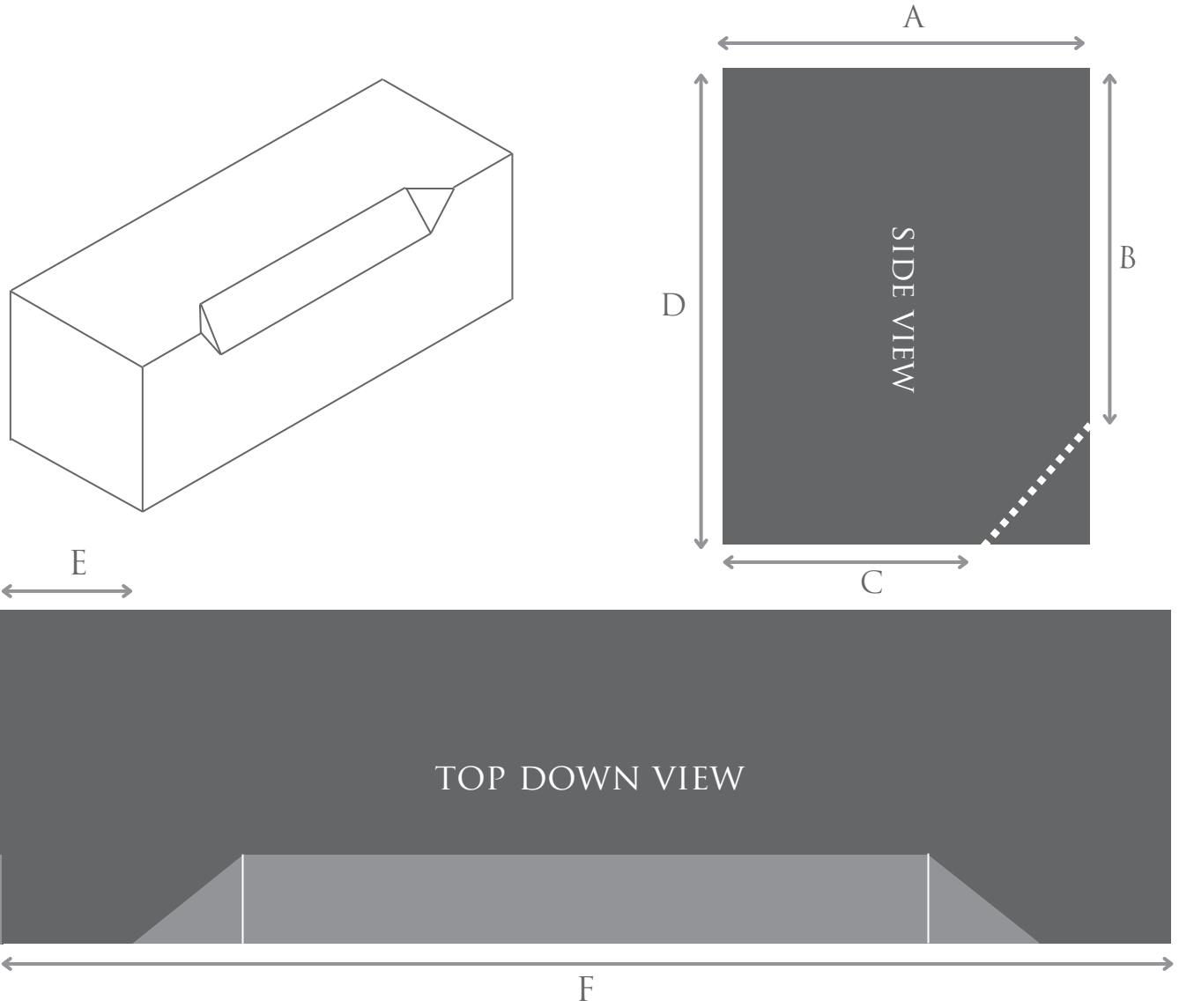
	SIZE IN MM	
A	100MM	
B	215MM	
C	<input type="text"/>	MAX LENGTH UP TO 2100MM
QUANTITY	<input type="text"/>	

FOR BESPOKE SIZING, CONTACT US ON:

TEL: 01995 600551

EMAIL: INFO@STONEUK.COM

LINTEL WITH CHAMFER SIZING



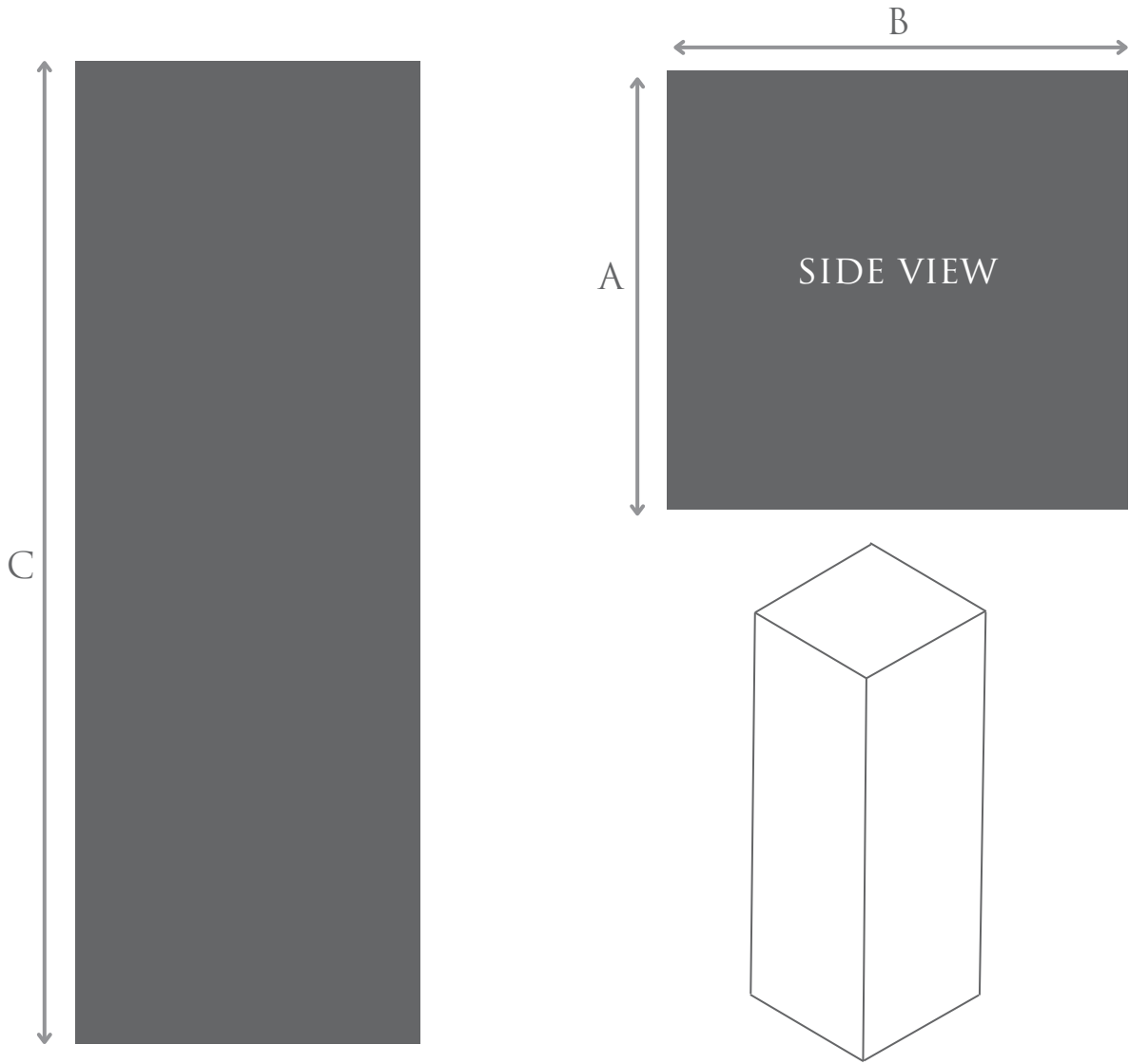
	SIZE IN MM	
A	100MM	
B	195MM	
C	80MM	
D	215MM	
E	100MM <input type="checkbox"/>	150MM <input type="checkbox"/>
F	<input type="text"/>	MAX LENGTH UP TO 2100MM
QUANTITY	<input type="text"/>	

FOR BESPOKE SIZING, CONTACT US ON:

TEL: 01995 600551

EMAIL: INFO@STONEUK.COM

JAMBS / MULLIONS SIZING



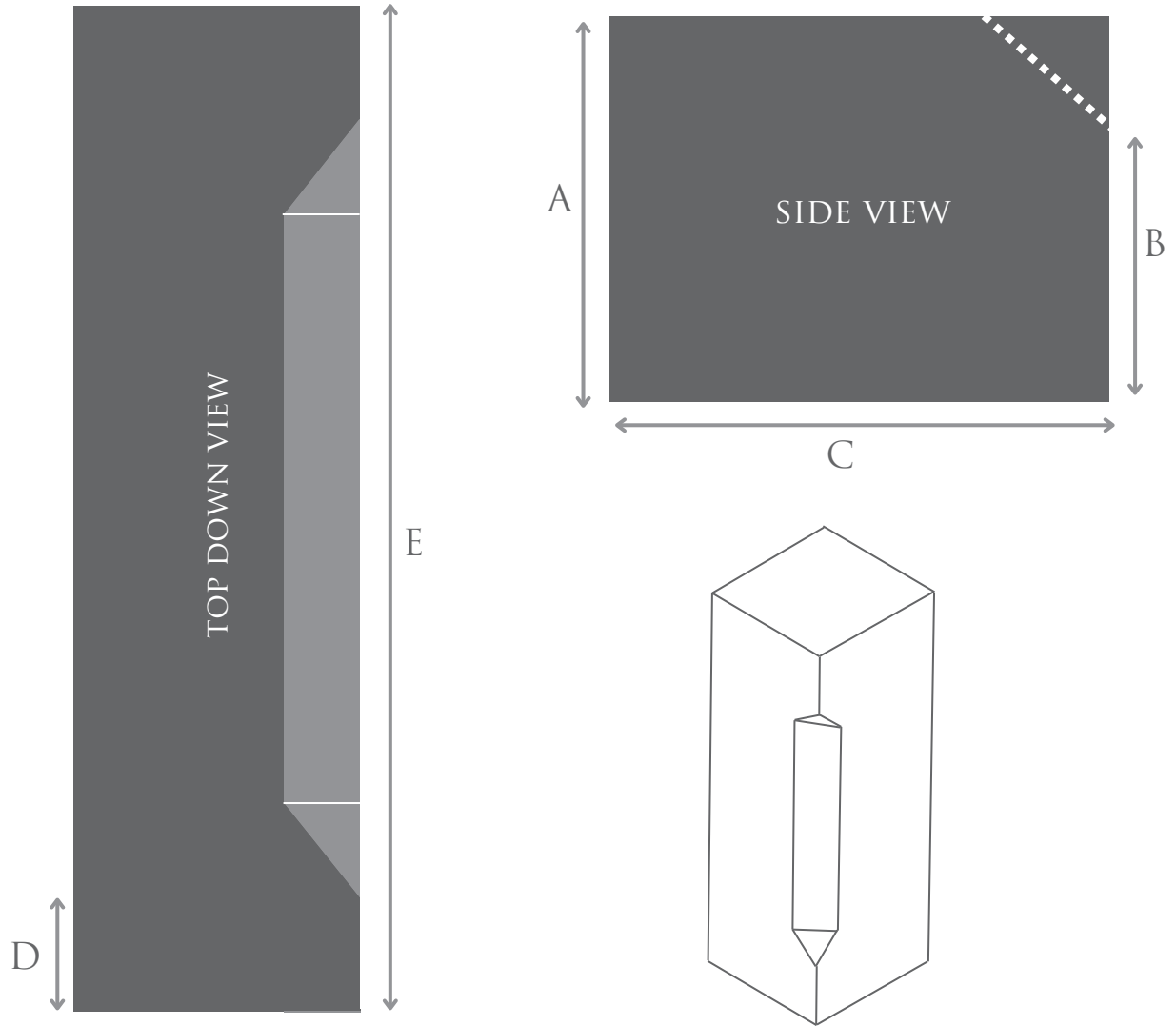
	SIZE IN MM	
A	100MM	
B	100MM <input type="checkbox"/>	150MM <input type="checkbox"/>
C	<input type="text"/>	MAX LENGTH UP TO 2100MM
QUANTITY	<input type="text"/>	

FOR BESPOKE SIZING, CONTACT US ON:

TEL: 01995 600551

EMAIL: INFO@STONEUK.COM

CHAMFERED JAMBS SIZING



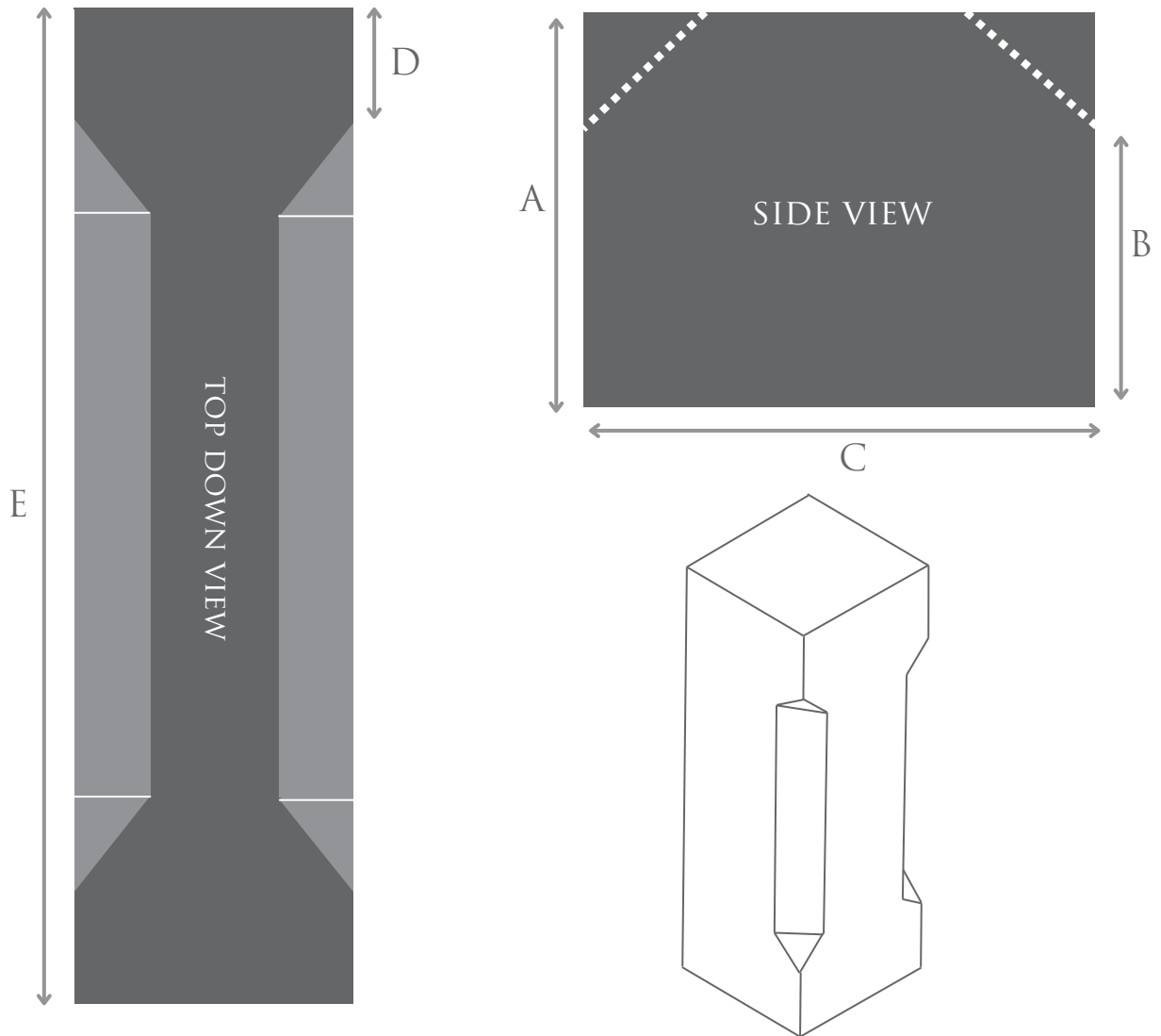
	SIZE IN MM	
A	100MM	
B	80MM	
C	100MM <input type="checkbox"/>	150MM <input type="checkbox"/>
D	100MM	
E	<input type="text"/>	MAX LENGTH UP TO 2100MM
QUANTITY	<input type="text"/>	

FOR BESPOKE SIZING, CONTACT US ON:

TEL: 01995 600551

EMAIL: INFO@STONEUK.COM

CHAMFERED MULLION SIZING



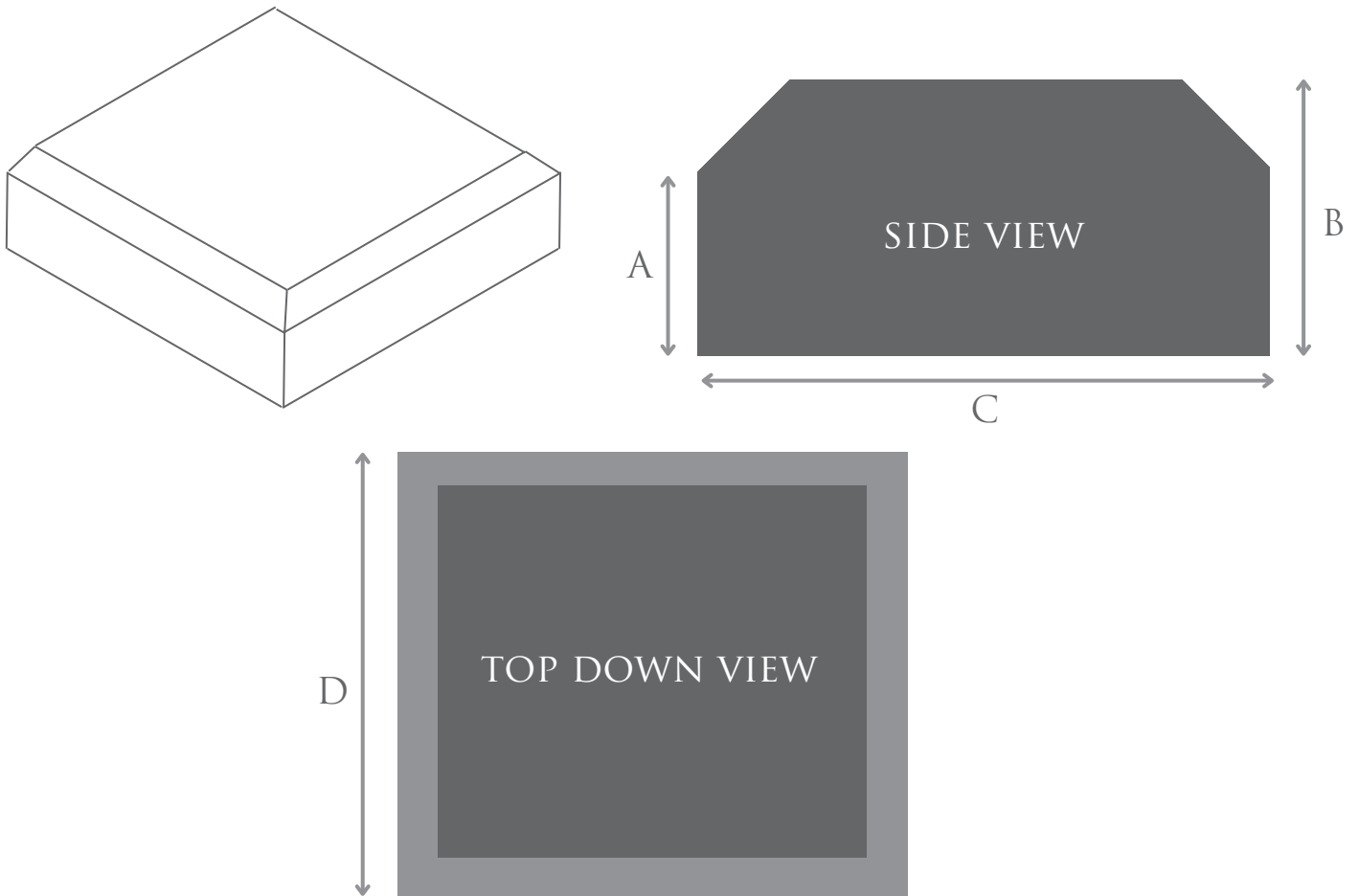
	SIZE IN MM	
A	100MM	
B	80MM	
C	100MM <input type="checkbox"/>	150MM <input type="checkbox"/>
D	100MM	
E	<input type="text"/>	MAX LENGTH UP TO 2100MM
QUANTITY	<input type="text"/>	

FOR BESPOKE SIZING, CONTACT US ON:

TEL: 01995 600551

EMAIL: INFO@STONEUK.COM

PILLAR CAPS CHAMFER SIZING



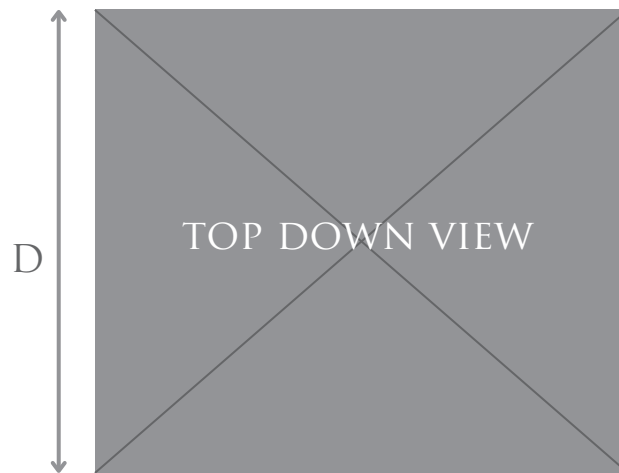
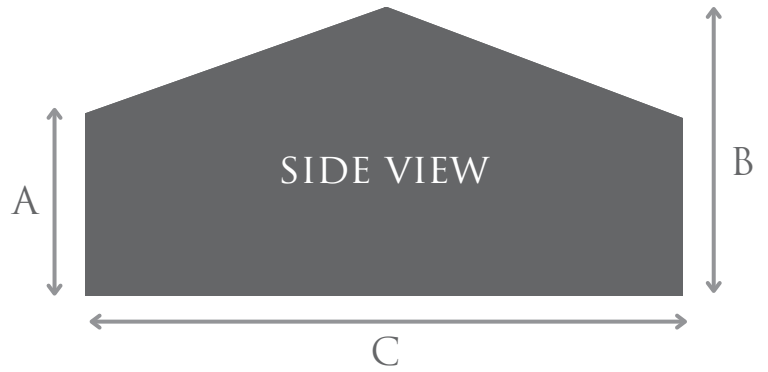
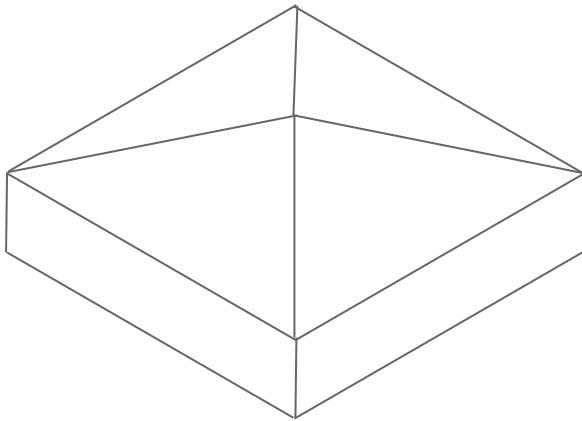
	SIZE IN MM					
A	50MM	<input type="checkbox"/>	75MM	<input type="checkbox"/>	100MM	<input type="checkbox"/>
B	75MM	<input type="checkbox"/>	100MM	<input type="checkbox"/>	150MM	<input type="checkbox"/>
C	<input type="text"/>				MAX LENGTH UP TO 600MM	
D	<input type="text"/>				MAX WIDTH UP TO 600MM	
DRIP GROOVE	YES	<input type="checkbox"/>	NO	<input type="checkbox"/>		
QUANTITY	<input type="text"/>					

FOR BESPOKE SIZING, CONTACT US ON:

TEL: 01995 600551

EMAIL: INFO@STONEUK.COM

PILLAR CAPS FOUR TIMES WEATHERED SIZING



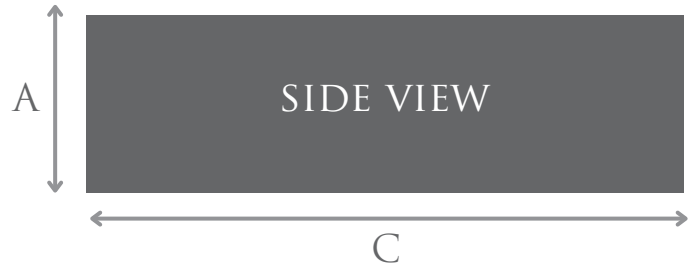
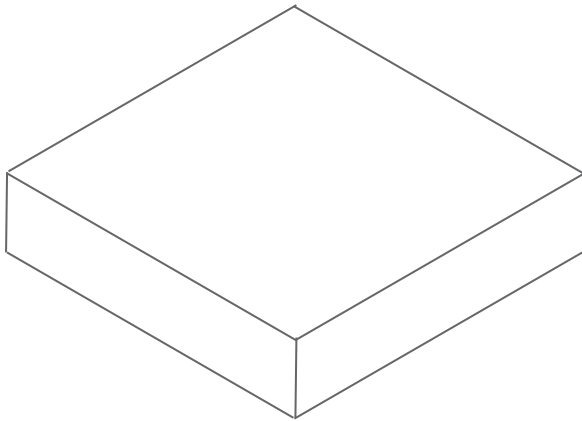
	SIZE IN MM					
A	50MM	<input type="checkbox"/>	75MM	<input type="checkbox"/>	100MM	<input type="checkbox"/>
B	75MM	<input type="checkbox"/>	100MM	<input type="checkbox"/>	150MM	<input type="checkbox"/>
C	<input type="text"/>				MAX LENGTH UP TO 600MM	
D	<input type="text"/>				MAX WIDTH UP TO 600MM	
DRIP GROOVE	YES	<input type="checkbox"/>	NO	<input type="checkbox"/>		
QUANTITY	<input type="text"/>					

FOR BESPOKE SIZING, CONTACT US ON:

TEL: 01995 600551

EMAIL: INFO@STONEUK.COM

PILLAR CAPS SAWN SIX SIDES SIZING



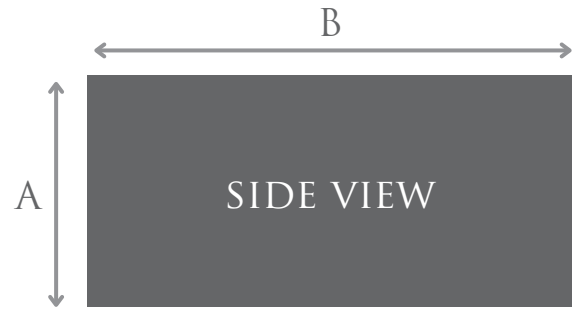
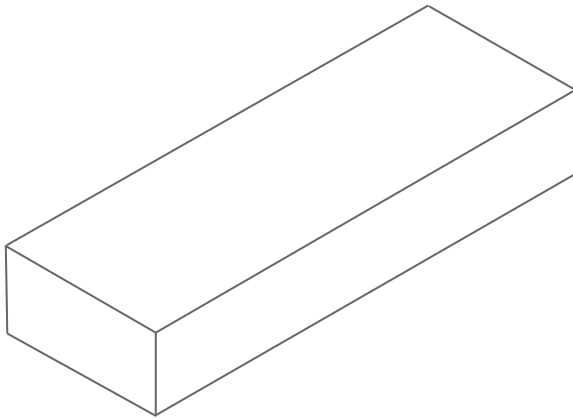
	SIZE IN MM					
A	50MM	<input type="checkbox"/>	75MM	<input type="checkbox"/>	100MM	<input type="checkbox"/>
B	75MM	<input type="checkbox"/>	100MM	<input type="checkbox"/>	150MM	<input type="checkbox"/>
C	<input type="text"/>				MAX LENGTH UP TO 600MM	
D	<input type="text"/>				MAX WIDTH UP TO 600MM	
DRIP GROOVE	YES	<input type="checkbox"/>	NO	<input type="checkbox"/>		
QUANTITY	<input type="text"/>					

FOR BESPOKE SIZING, CONTACT US ON:

TEL: 01995 600551

EMAIL: INFO@STONEUK.COM

SAWN COPINGS



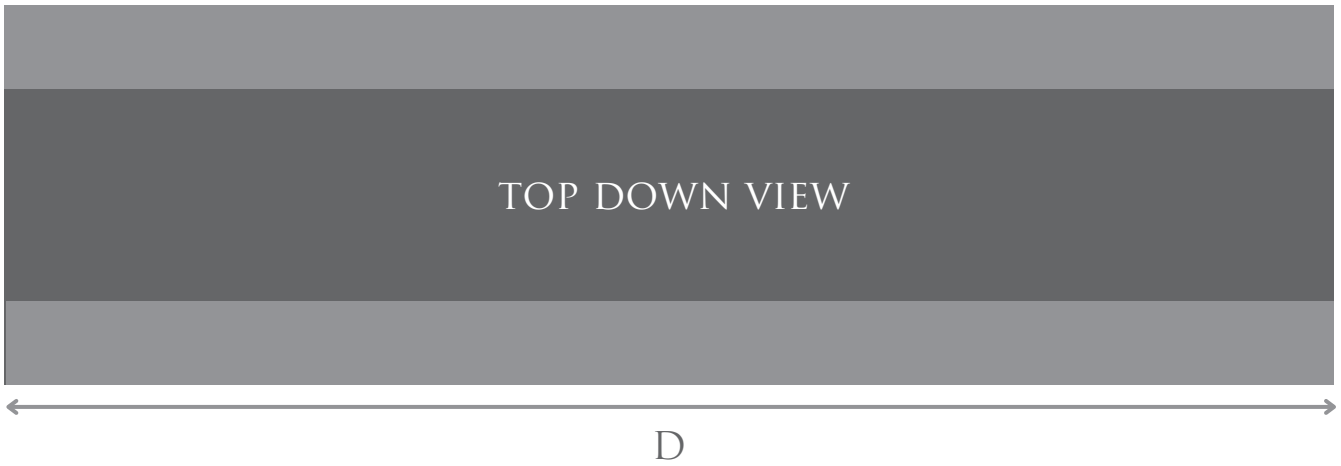
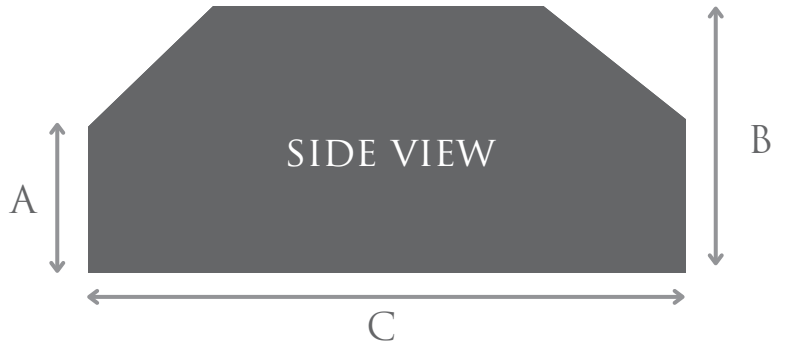
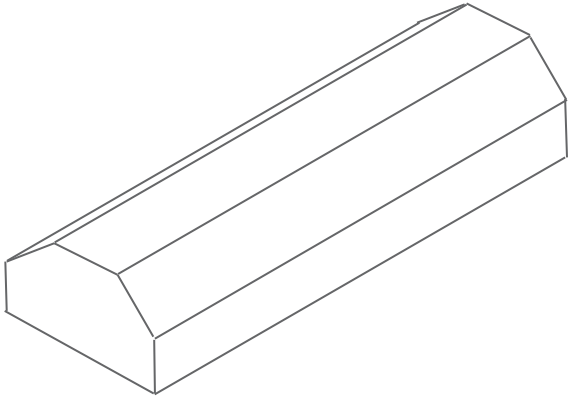
	SIZE IN MM				
A	50MM <input type="checkbox"/>	65MM <input type="checkbox"/>	75MM <input type="checkbox"/>	100MM <input type="checkbox"/>	150MM <input type="checkbox"/>
B	<input type="text"/>			MAX WIDTH UP TO 600MM	
C	<input type="text"/>			MAX LENGTH UP TO 900MM	
DRIP GROOVE	YES <input type="checkbox"/>	NO <input type="checkbox"/>			
QUANTITY	<input type="text"/>				

FOR BESPOKE SIZING, CONTACT US ON:

TEL: 01995 600551

EMAIL: INFO@STONEUK.COM

COPINGS - CHAMFER



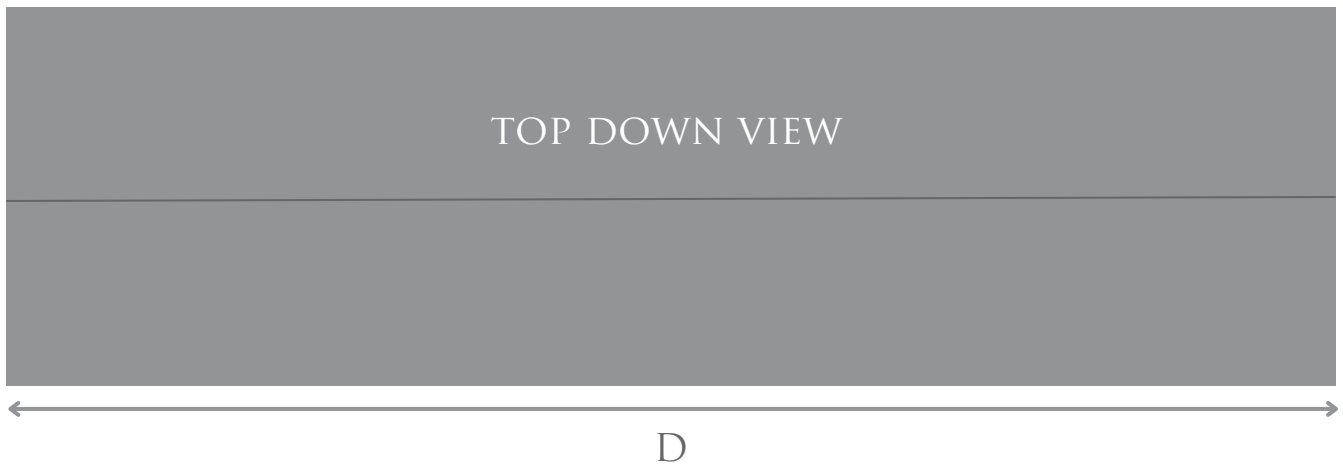
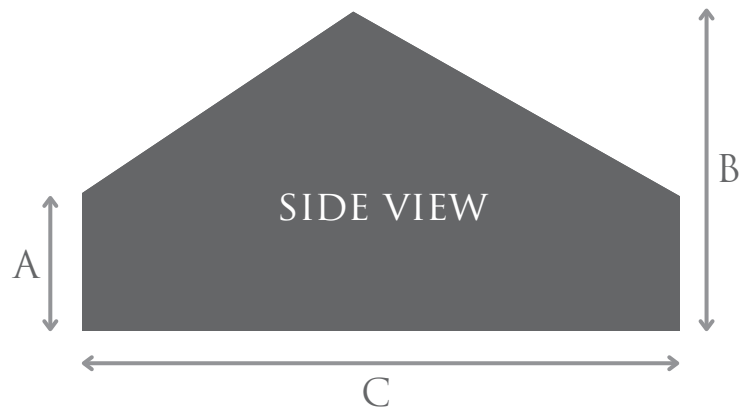
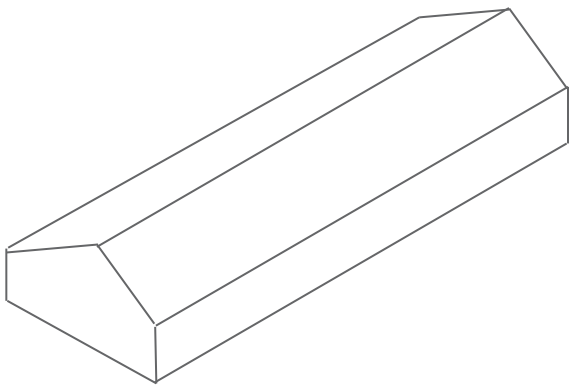
	SIZE IN MM									
A	25MM	<input type="checkbox"/>	50MM	<input type="checkbox"/>	75MM	<input type="checkbox"/>	100MM	<input type="checkbox"/>		
B	50MM	<input type="checkbox"/>	65MM	<input type="checkbox"/>	75MM	<input type="checkbox"/>	100MM	<input type="checkbox"/>	150MM	<input type="checkbox"/>
C	<input type="text"/>				MAX WIDTH UP TO 600MM					
D	<input type="text"/>				MAX LENGTH UP TO 900MM					
DRIP GROOVE	YES	<input type="checkbox"/>	NO	<input type="checkbox"/>						
QUANTITY	<input type="text"/>									

FOR BESPOKE SIZING, CONTACT US ON:

TEL: 01995 600551

EMAIL: INFO@STONEUK.COM

COPINGS - TWICE WEATHERED



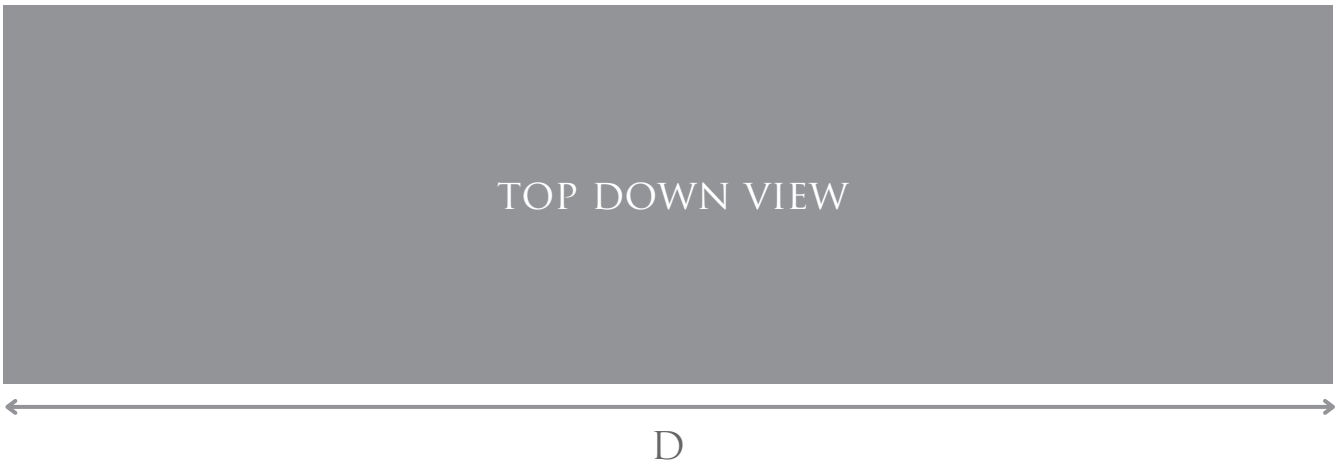
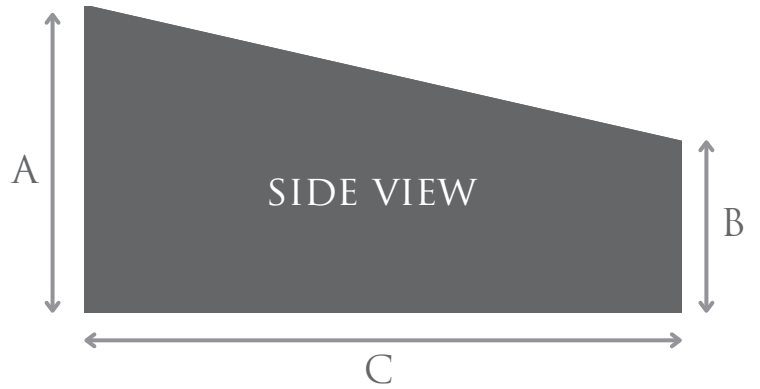
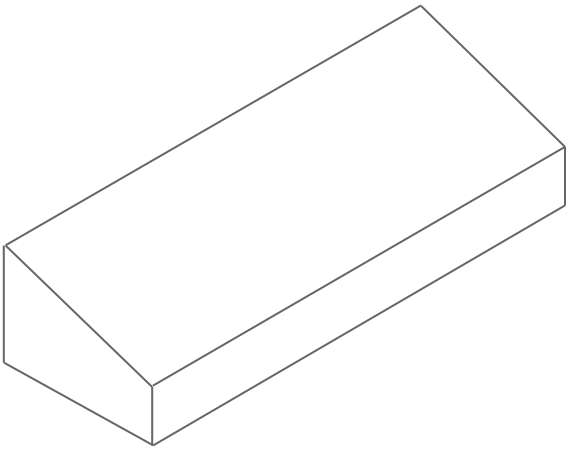
	SIZE IN MM									
A	25MM	<input type="checkbox"/>	50MM	<input type="checkbox"/>	75MM	<input type="checkbox"/>	100MM	<input type="checkbox"/>		
B	50MM	<input type="checkbox"/>	65MM	<input type="checkbox"/>	75MM	<input type="checkbox"/>	100MM	<input type="checkbox"/>	150MM	<input type="checkbox"/>
C	<input type="text"/>				MAX WIDTH UP TO 600MM					
D	<input type="text"/>				MAX LENGTH UP TO 900MM					
DRIP GROOVE	YES	<input type="checkbox"/>	NO	<input type="checkbox"/>						
QUANTITY	<input type="text"/>									

FOR BESPOKE SIZING, CONTACT US ON:

TEL: 01995 600551

EMAIL: INFO@STONEUK.COM

COPINGS - ONCE WEATHERED



	SIZE IN MM				
A	50MM <input type="checkbox"/>	65MM <input type="checkbox"/>	75MM <input type="checkbox"/>	100MM <input type="checkbox"/>	150MM <input type="checkbox"/>
B	25MM <input type="checkbox"/>	50MM <input type="checkbox"/>	75MM <input type="checkbox"/>	100MM <input type="checkbox"/>	
C	<input type="text"/>				MAX WIDTH UP TO 600MM
D	<input type="text"/>				MAX LENGTH UP TO 900MM
DRIP GROOVE	YES <input type="checkbox"/>	NO <input type="checkbox"/>			
QUANTITY	<input type="text"/>				

FOR BESPOKE SIZING, CONTACT US ON:

TEL: 01995 600551

EMAIL: INFO@STONEUK.COM