



EST. 2000

STONE UK

STONE, TILE & TIMBER SPECIALIST



BESPOKE MASONRY FINISHES TEMPLATES
2024 COLLECTION

BESPOKE MASONRY

Important Notice Regarding Bespoke Masonry Finish Selection

Please be advised that selecting a bespoke masonry finish, as opposed to the standard sizing options, will result in increased pricing. The final cost will vary based on the dimensions and specifications chosen for the custom finish. Additionally, opting for a bespoke finish will extend the standard lead times, as these customized options require specialized production processes.

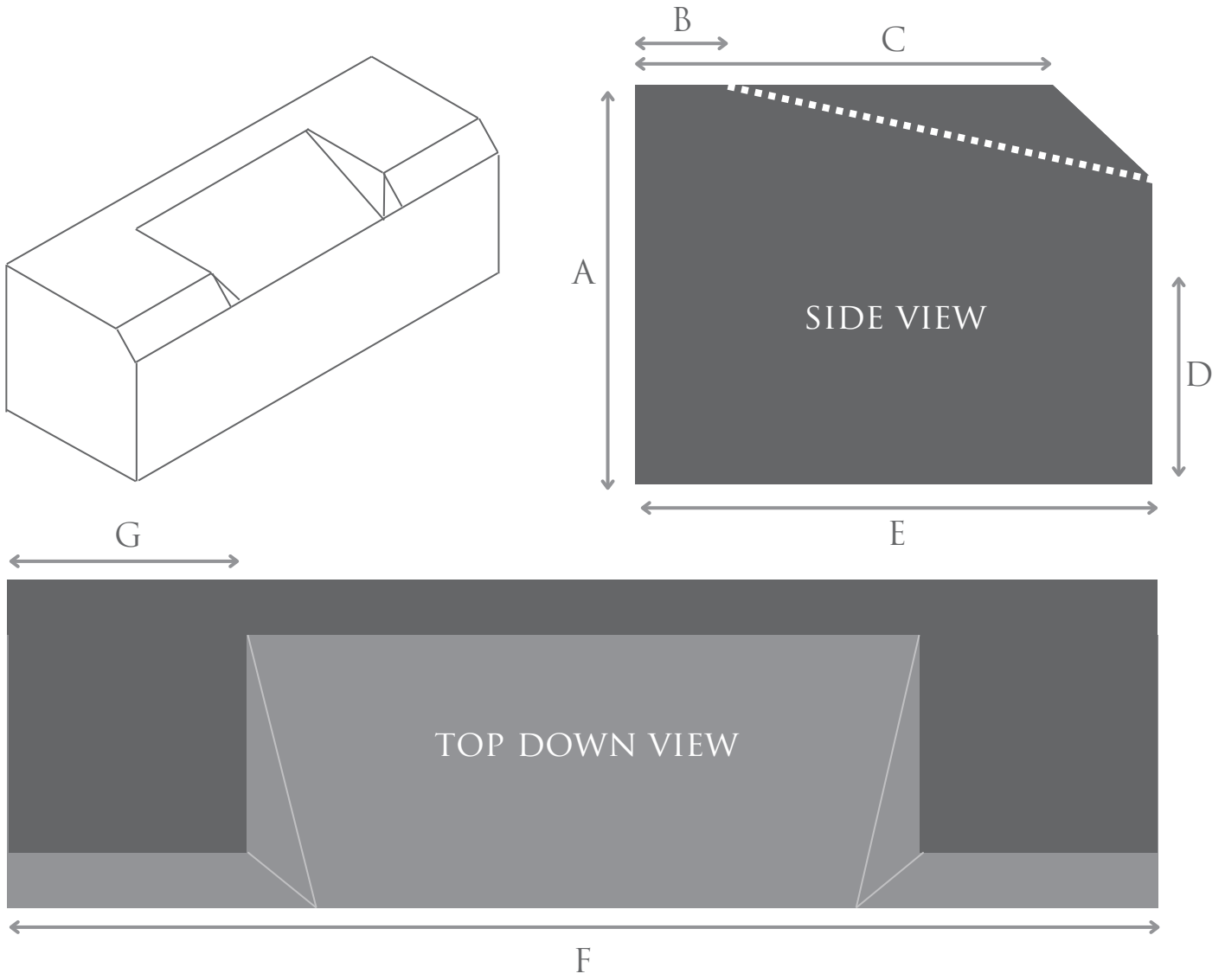
For a detailed estimate and accurate lead time, please complete the template with your desired sizes and submit it to our team for review.

FOR STANDARD SIZING, WE HAVE
ANOTHER BROCHURE AVAILABLE:

WEBSITE: WWW.STONEUK.COM/STONE-MANSORY

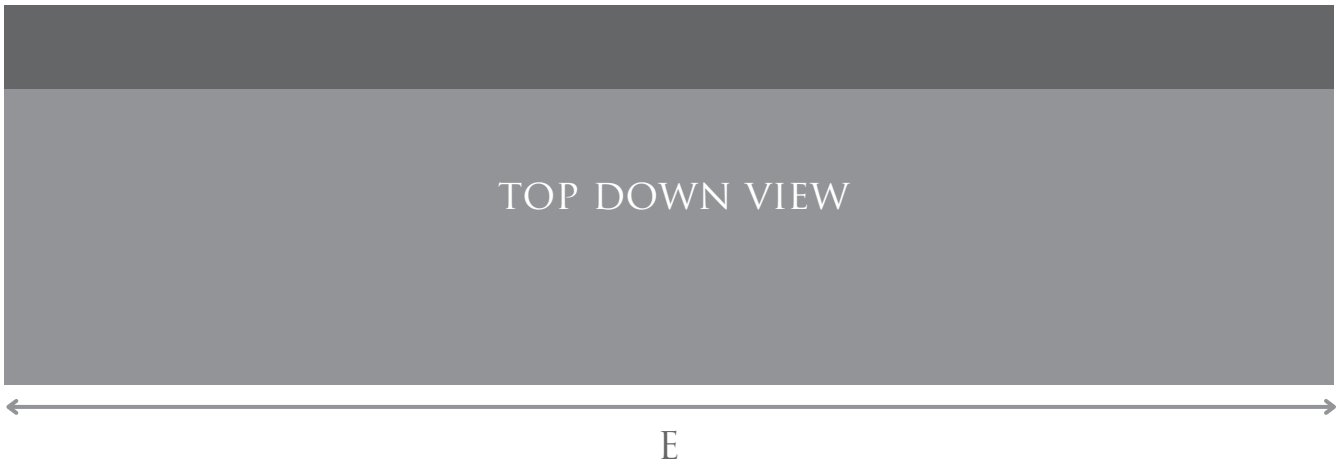
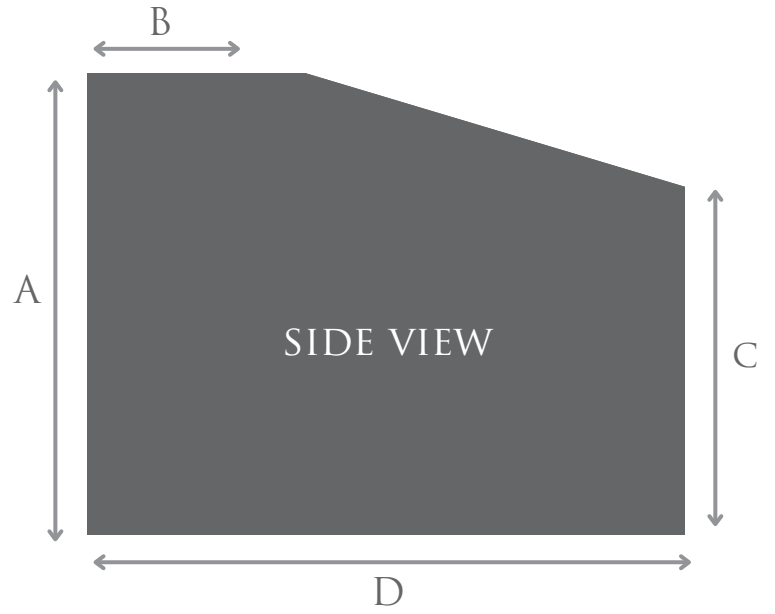
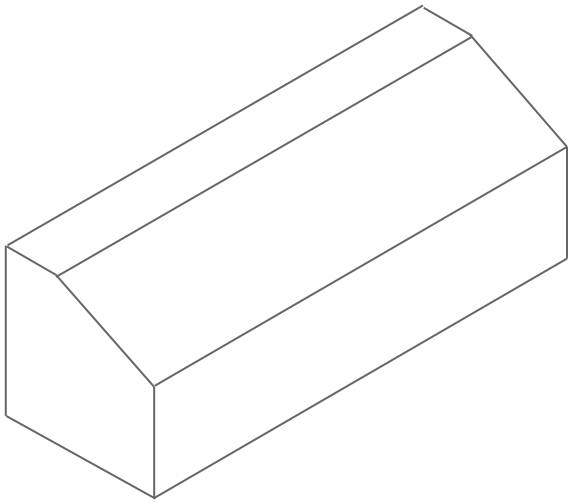


STOOLED CILL SIZING



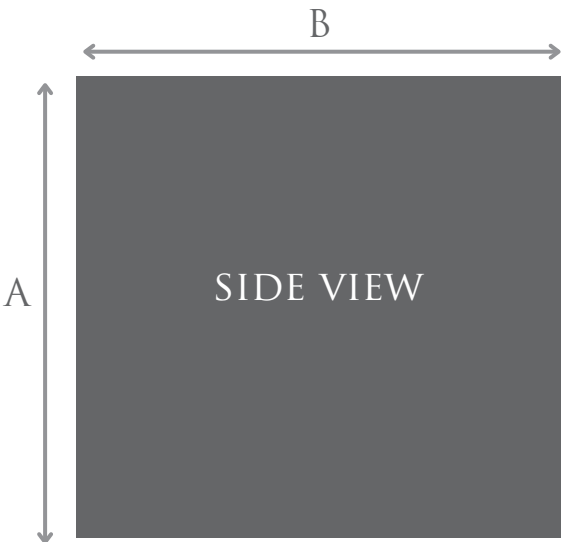
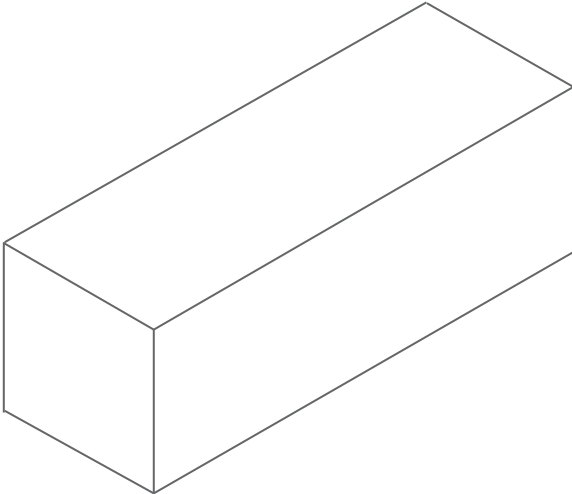
	SIZE IN MM	
A		
B		
C		
D		
E		
F	MAX LENGTH UP TO 2100MM	
G		
DRIP GROOVE	YES <input type="checkbox"/>	NO <input type="checkbox"/>
QUANTITY		

SLIP CILL SIZING



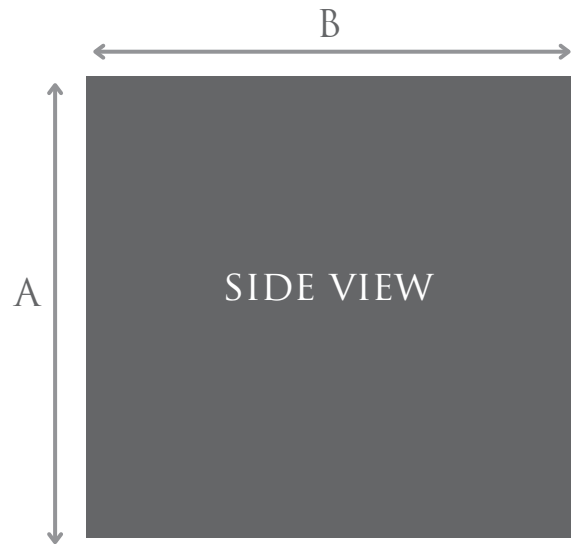
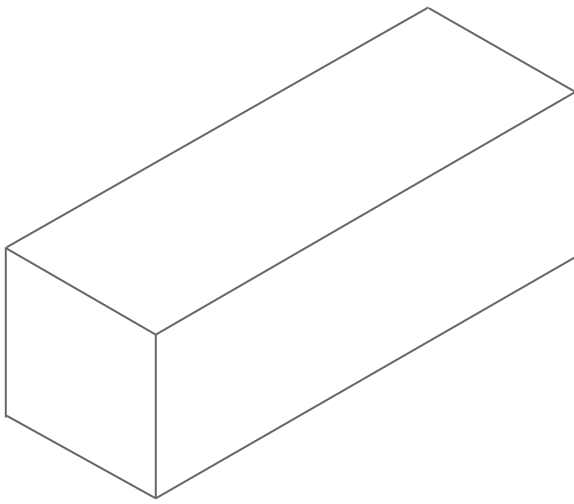
	SIZE IN MM	
A		
B		
C		
D		
E	MAX LENGTH UP TO 2100MM	
DRIP GROOVE	YES <input type="checkbox"/>	NO <input type="checkbox"/>
QUANTITY		

SAWN CILLS SIZING



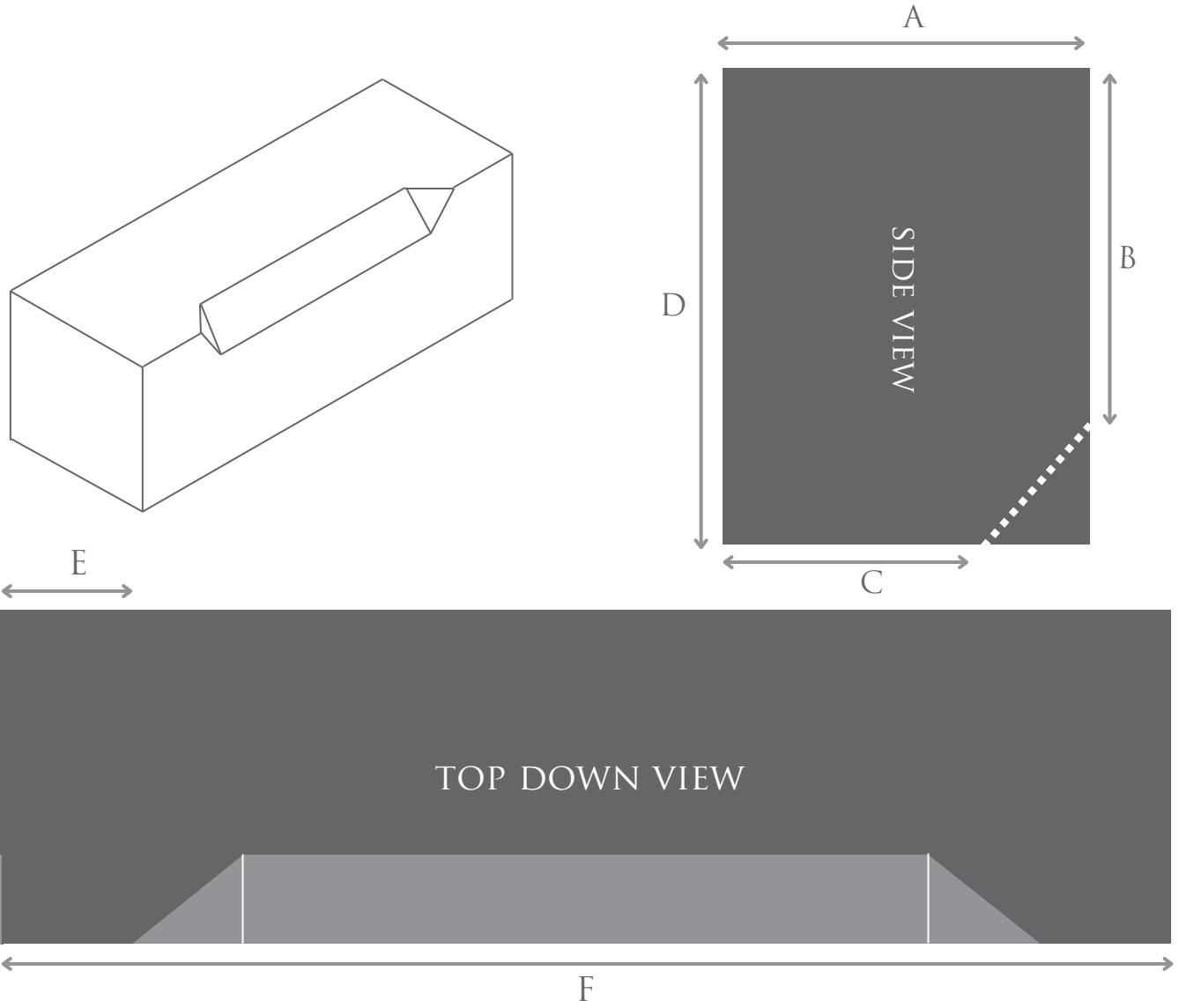
	SIZE IN MM	
A		
B		
C	MAX LENGTH UP TO 2100MM	
DRIP GROOVE	YES <input type="checkbox"/>	NO <input type="checkbox"/>
QUANTITY		

SAWN LINTEL SIZING



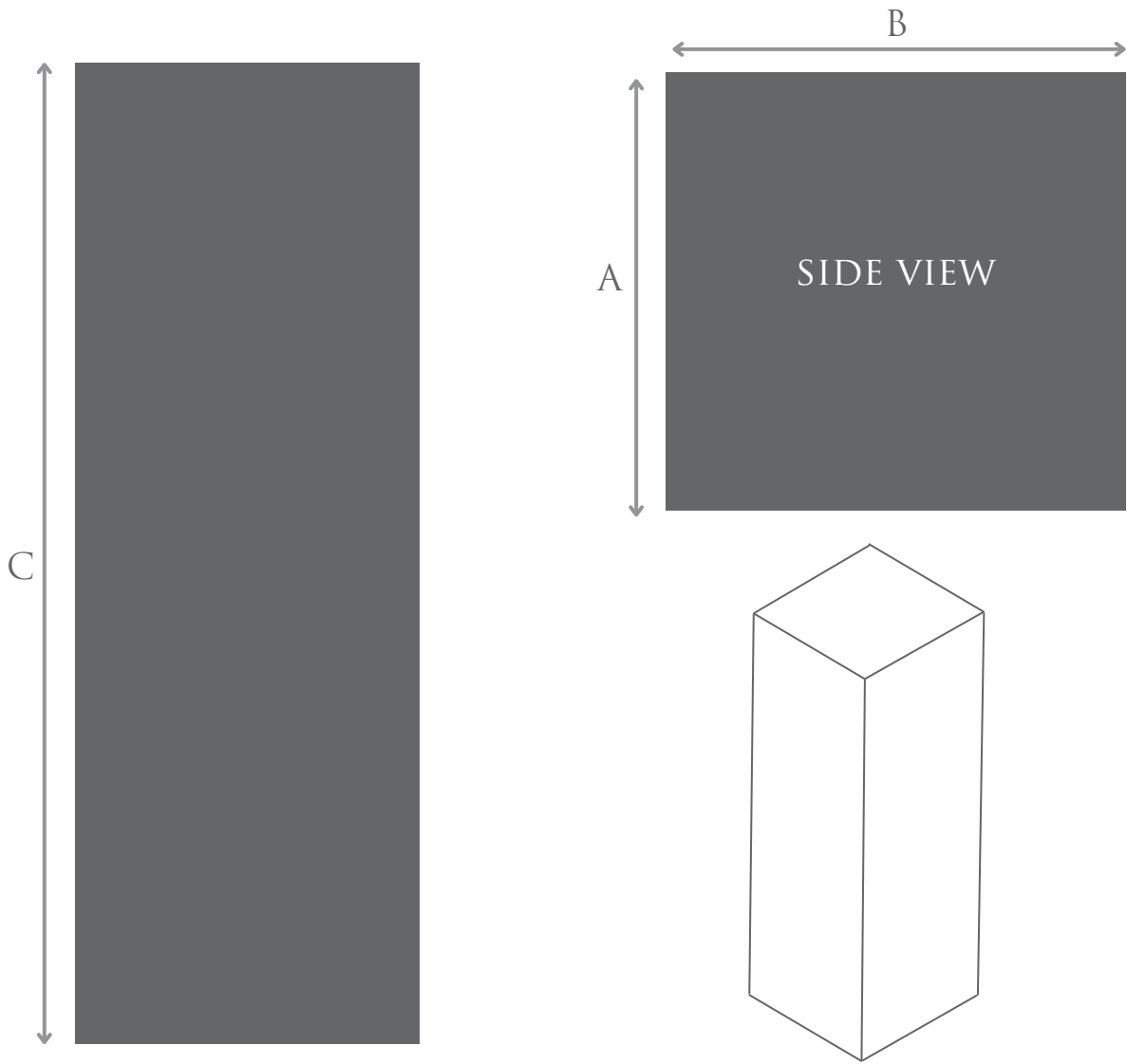
	SIZE IN MM
A	
B	
C	MAX LENGTH UP TO 2100MM
QUANTITY	

LINTEL WITH CHAMFER SIZING



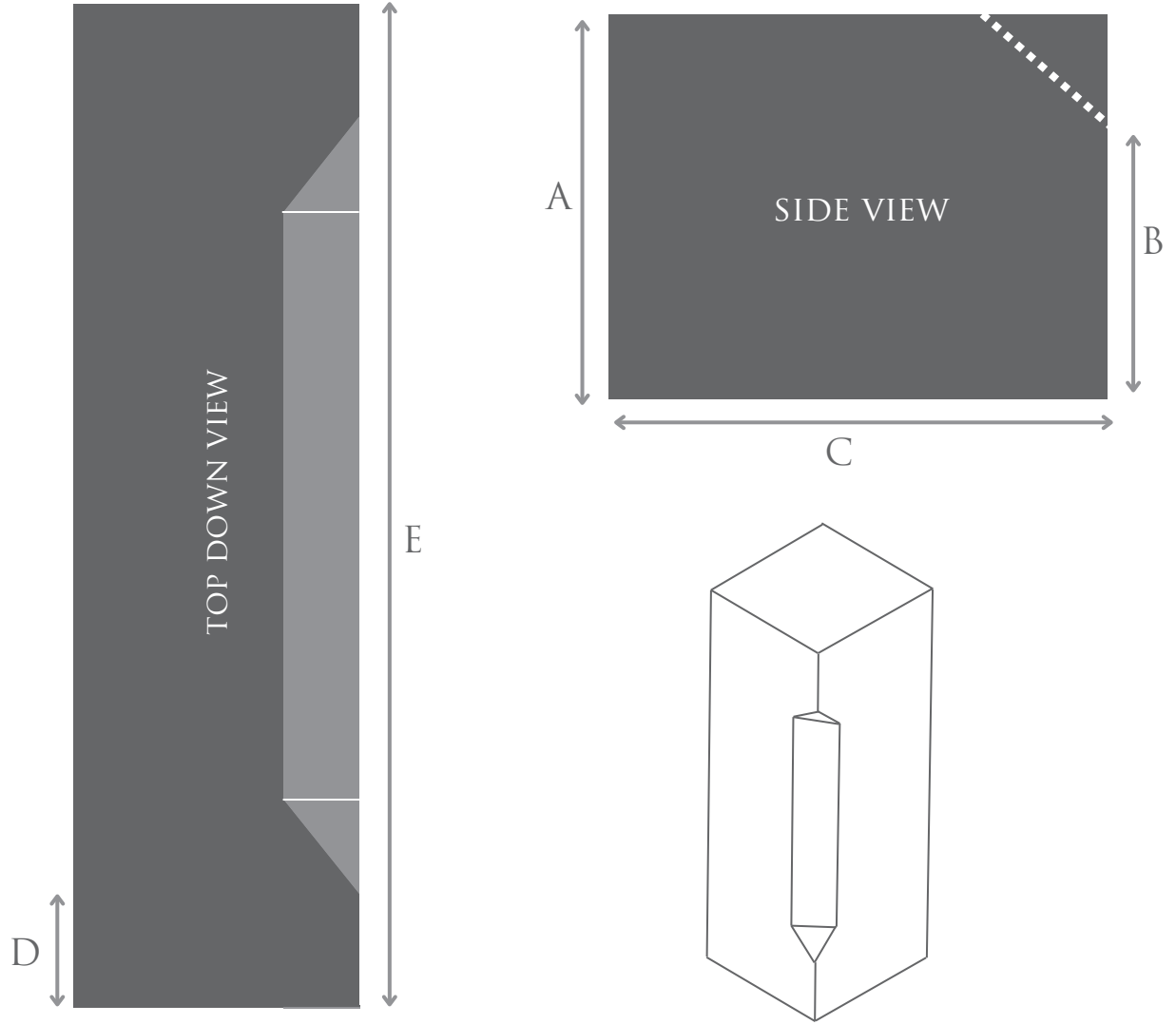
	SIZE IN MM
A	
B	
C	
D	
E	
F	MAX LENGTH UP TO 2100MM
QUANTITY	

JAMBS / MULLIONS SIZING



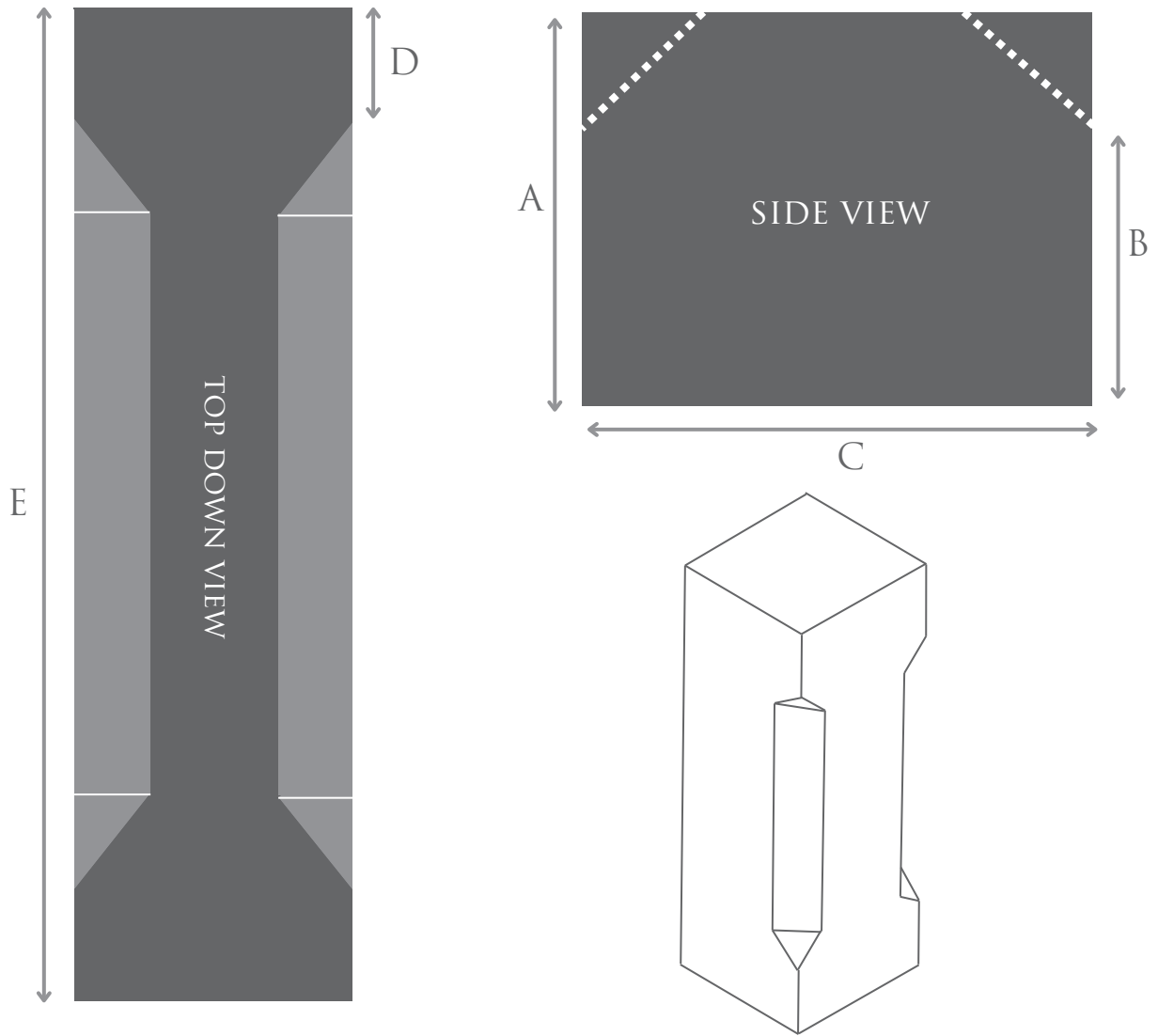
	SIZE IN MM
A	
B	
C	MAX LENGTH UP TO 2100MM
QUANTITY	

CHAMFERED JAMBS SIZING



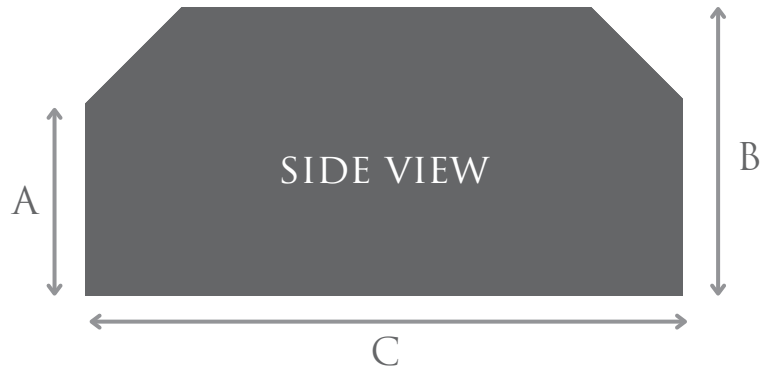
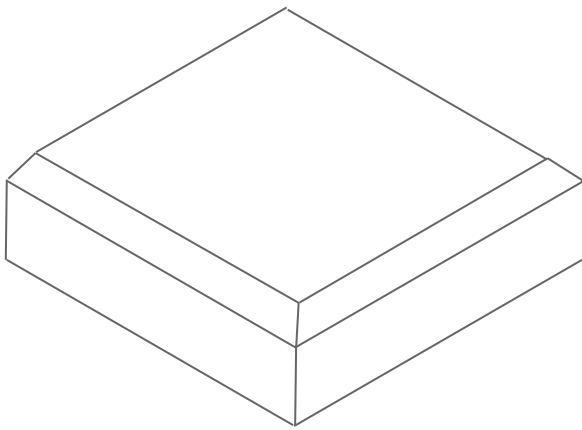
	SIZE IN MM
A	
B	
C	
D	
E	MAX LENGTH UP TO 2100MM
QUANTITY	

CHAMFERED MULLION SIZING



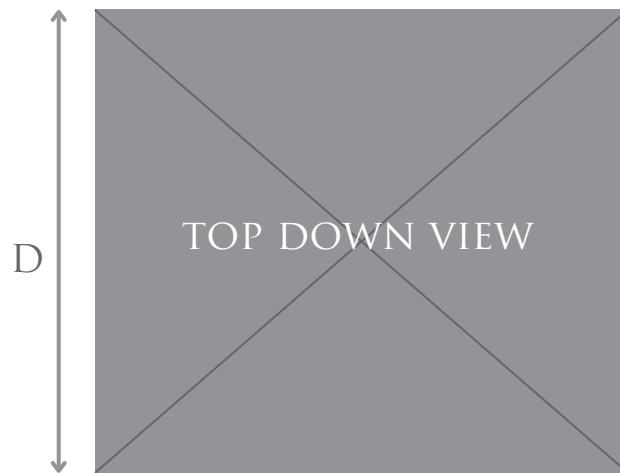
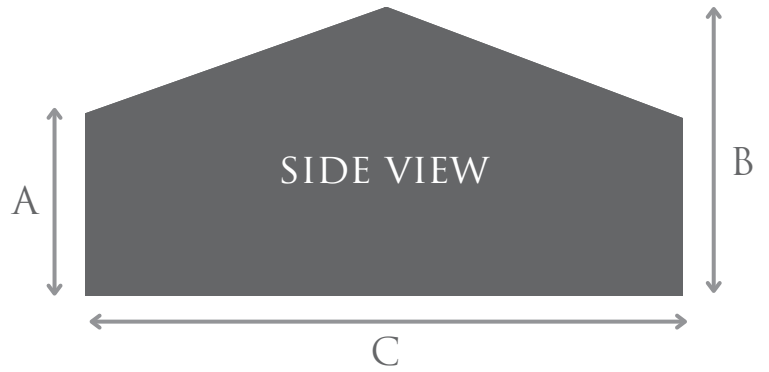
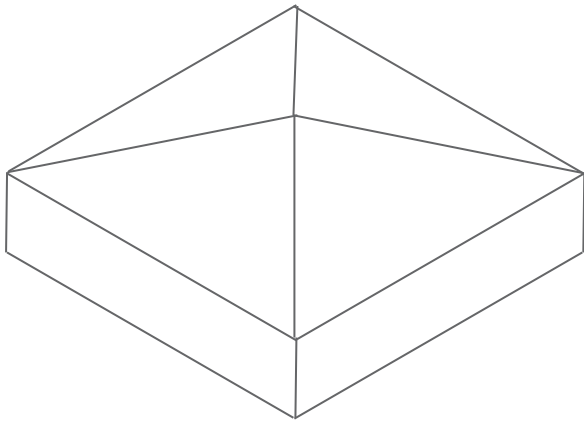
	SIZE IN MM
A	
B	
C	
D	
E	MAX LENGTH UP TO 2100MM
QUANTITY	

PILLAR CAPS CHAMFER SIZING



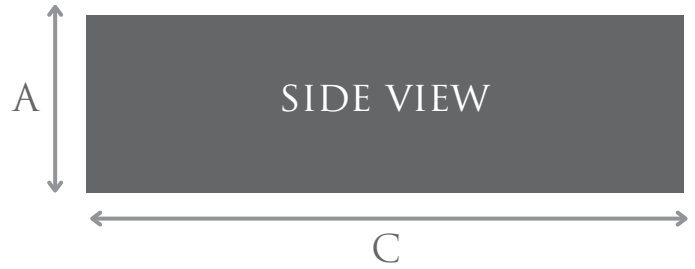
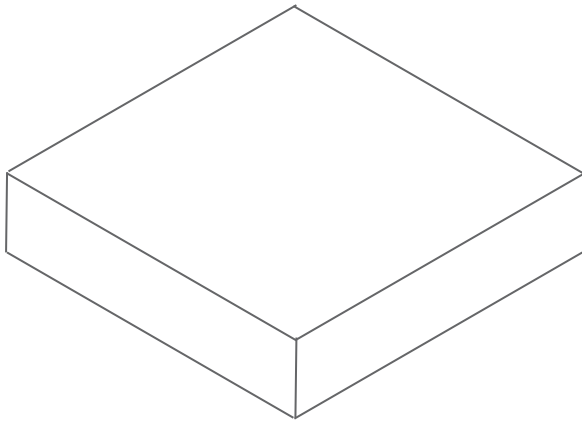
SIZE IN MM	
A	
B	
C	MAX LENGTH UP TO 600MM
D	MAX LENGTH UP TO 600MM
DRIP GROOVE	YES <input type="checkbox"/> NO <input type="checkbox"/>
QUANTITY	

PILLAR CAPS FOUR TIMES WEATHERED SIZING



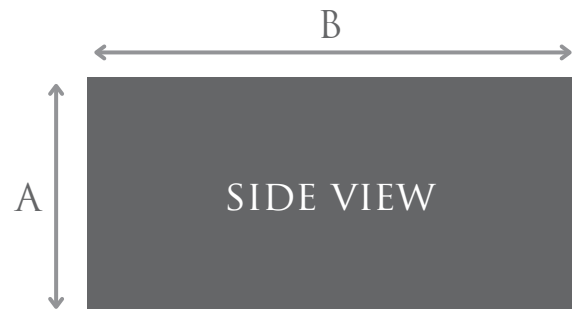
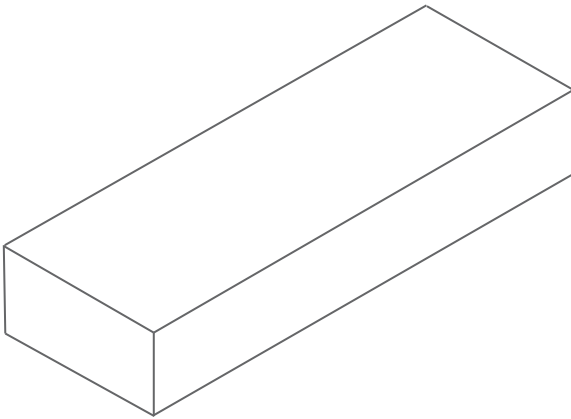
SIZE IN MM	
A	
B	
C	MAX LENGTH UP TO 600MM
D	MAX LENGTH UP TO 600MM
DRIP GROOVE	YES <input type="checkbox"/> NO <input type="checkbox"/>
QUANTITY	

PILLAR CAPS SAWN SIX SIDES SIZING



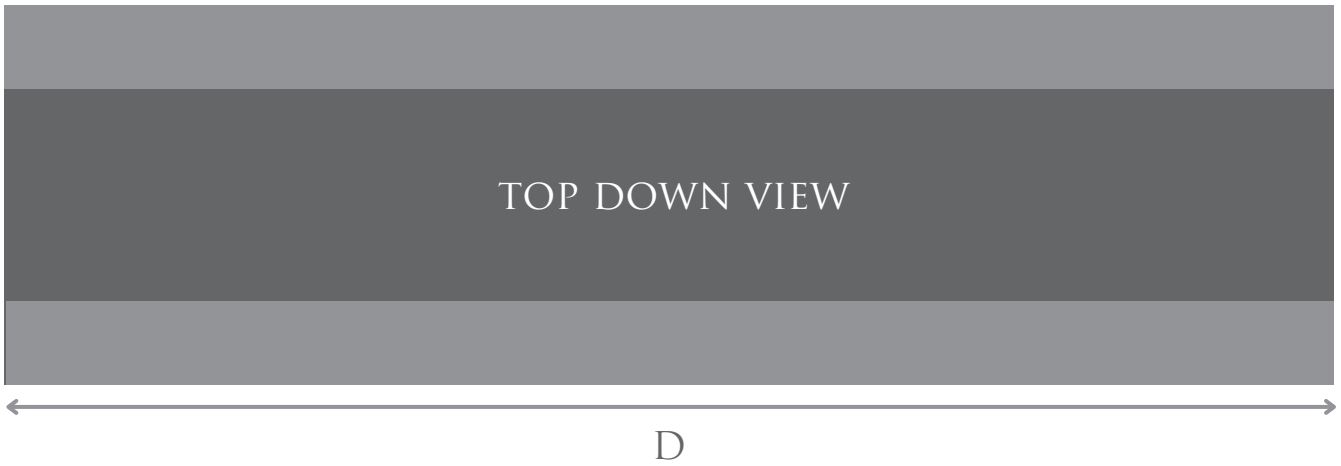
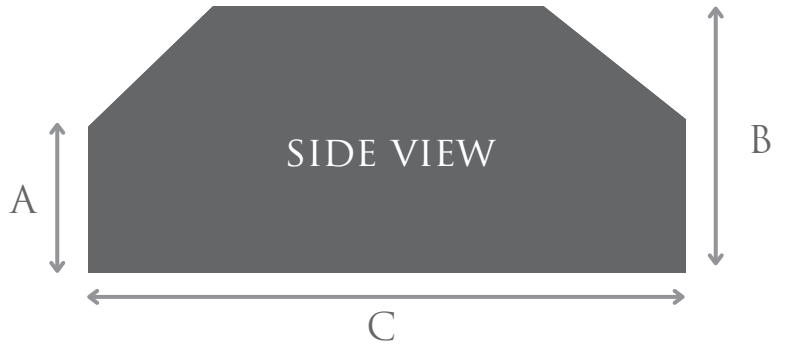
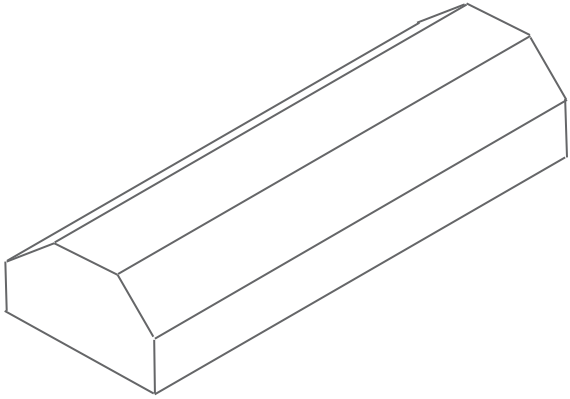
SIZE IN MM	
A	
B	
C	MAX LENGTH UP TO 600MM
D	MAX WIDTH UP TO 600MM
DRIP GROOVE	YES <input type="checkbox"/> NO <input type="checkbox"/>
QUANTITY	

SAWN COPINGS



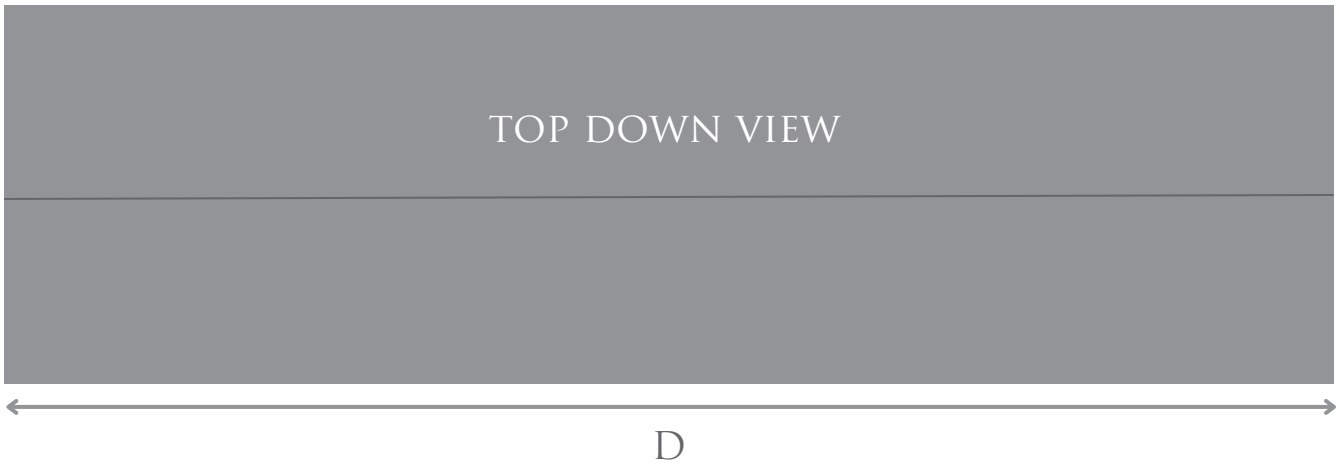
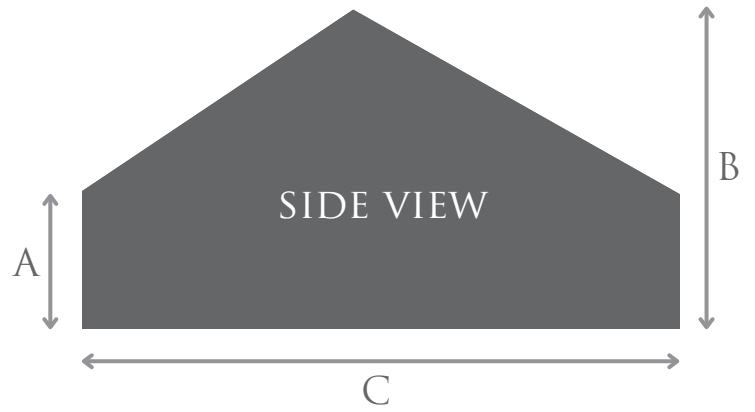
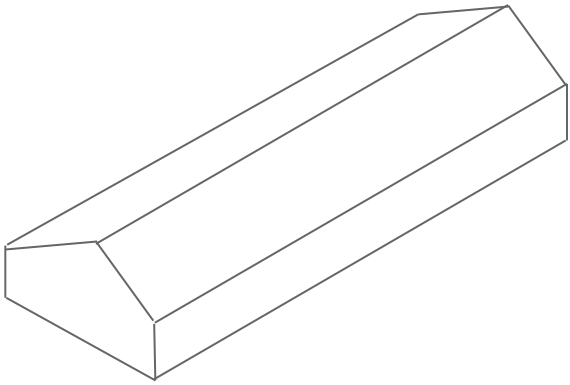
SIZE IN MM	
A	
B	MAX LENGTH UP TO 600MM
C	MAX LENGTH UP TO 900MM
DRIP GROOVE	YES <input type="checkbox"/> NO <input type="checkbox"/>
QUANTITY	

COPINGS - CHAMFER



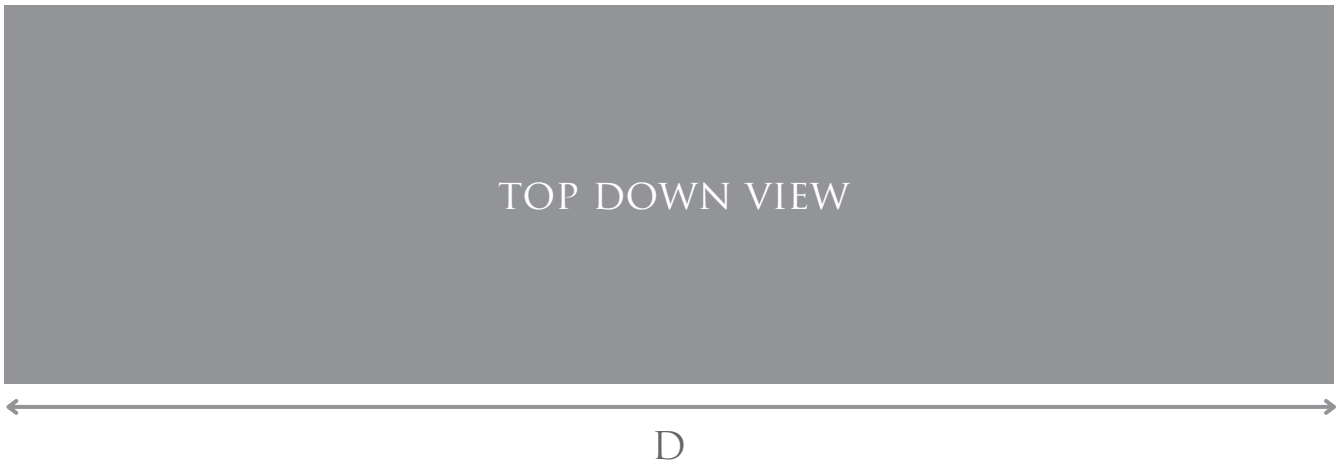
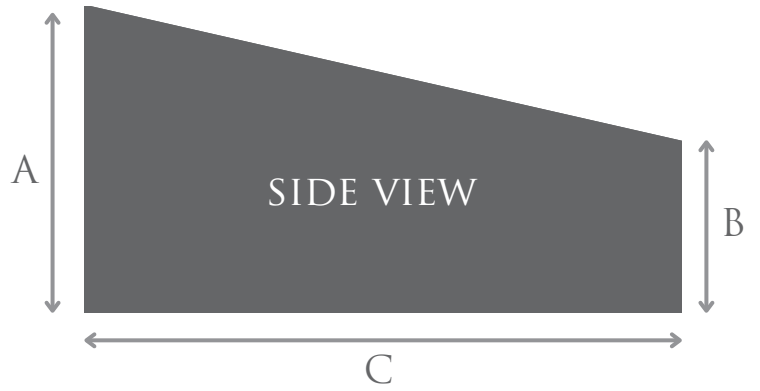
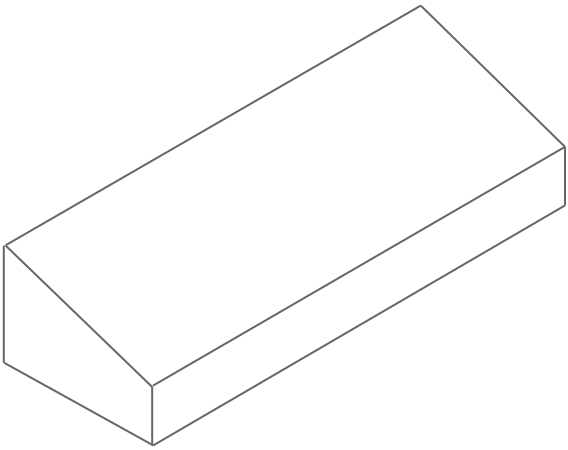
	SIZE IN MM	
A		
B		
C	MAX LENGTH UP TO 600MM	
D	MAX LENGTH UP TO 900MM	
DRIP GROOVE	YES <input type="checkbox"/>	NO <input type="checkbox"/>
QUANTITY		

COPINGS - TWICE WEATHERED



	SIZE IN MM	
A		
B		
C	MAX LENGTH UP TO 600MM	
D	MAX LENGTH UP TO 900MM	
DRIP GROOVE	YES <input type="checkbox"/>	NO <input type="checkbox"/>
QUANTITY		

COPINGS - ONCE WEATHERED



	SIZE IN MM	
A		
B		
C	MAX LENGTH UP TO 600MM	
D	MAX LENGTH UP TO 900MM	
DRIP GROOVE	YES <input type="checkbox"/>	NO <input type="checkbox"/>
QUANTITY		