



EST. 2000

STONE UK

STONE, TILE & TIMBER SPECIALIST



BESPOKE MASONRY FINISHES TEMPLATES
2024 COLLECTION

BESPOKE MASONRY

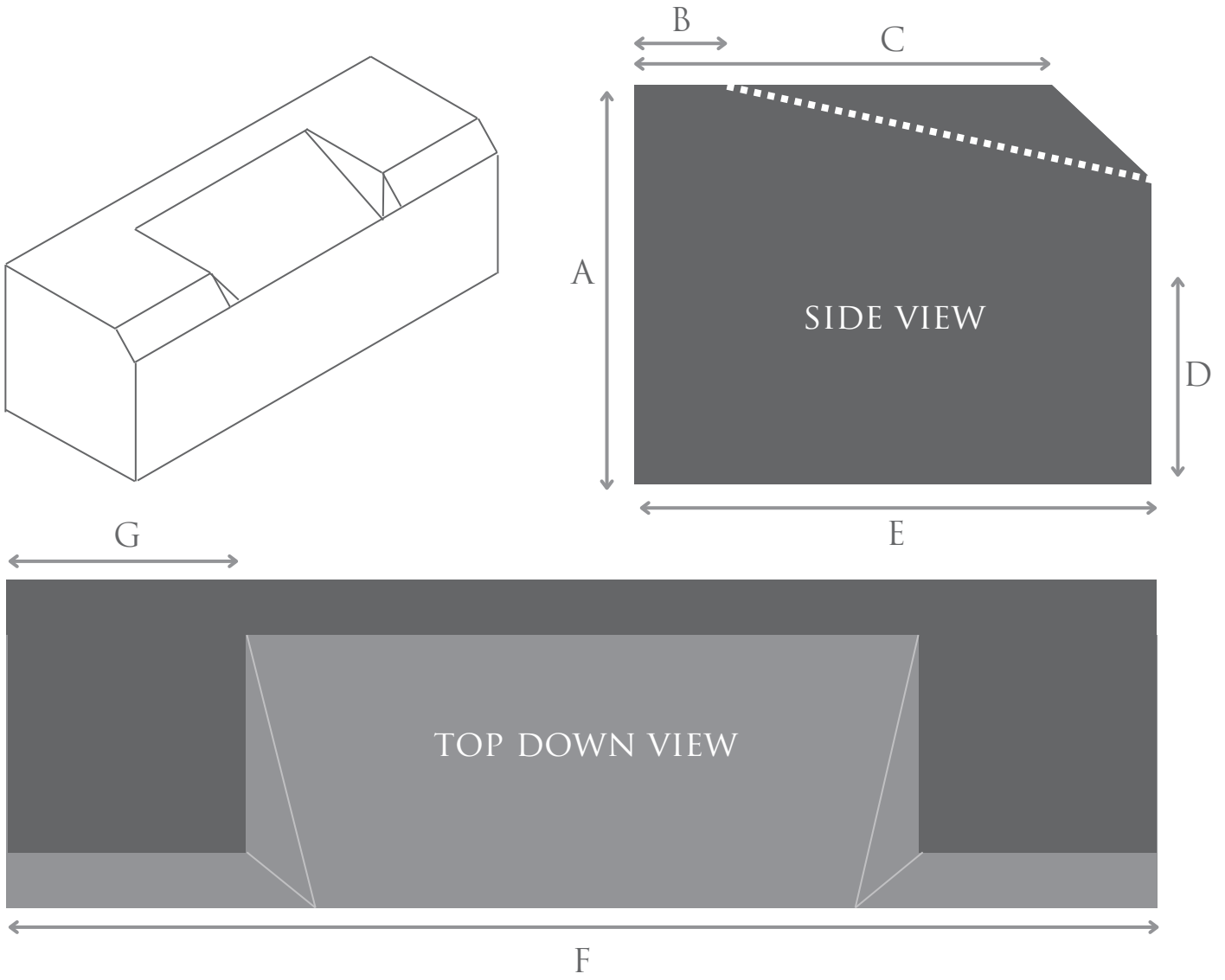
Important Notice Regarding Bespoke Masonry Finish Selection

Please be advised that selecting a bespoke masonry finish, as opposed to the standard sizing options, will result in increased pricing. The final cost will vary based on the dimensions and specifications chosen for the custom finish. Additionally, opting for a bespoke finish will extend the standard lead times, as these customized options require specialized production processes.

For a detailed estimate and accurate lead time, please complete the template with your desired sizes and submit it to our team for review.

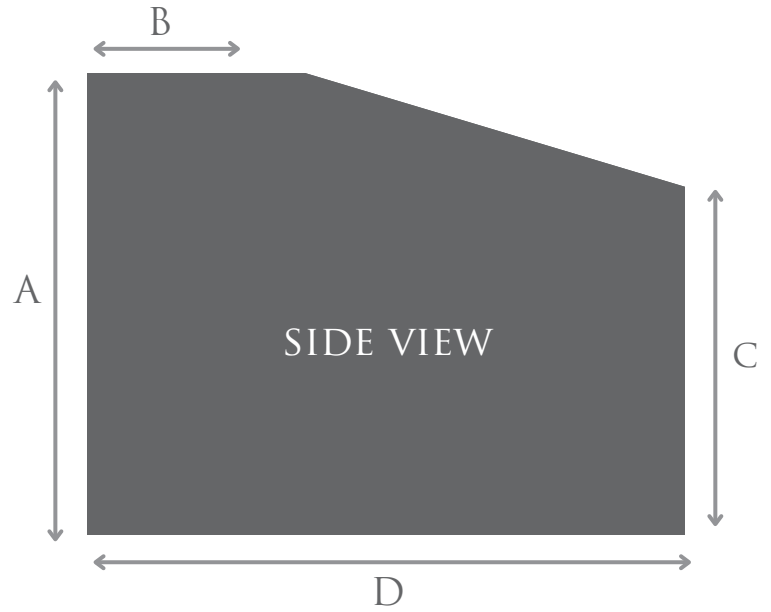
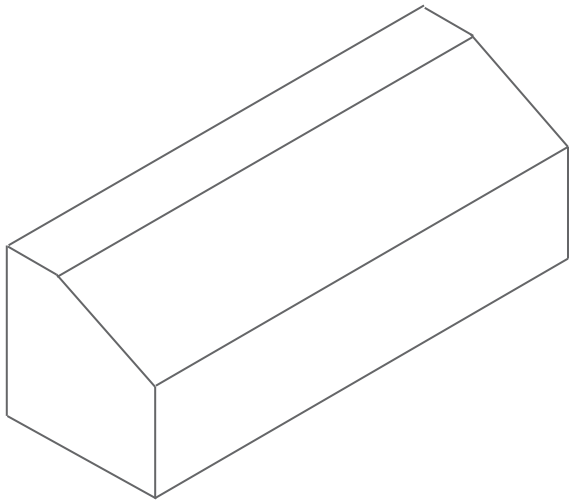


STOOLED CILL SIZING



	SIZE IN MM	
A		
B		
C		
D		
E		
F	MAX LENGTH UP TO 2100MM	
G		
DRIP GROOVE	YES <input type="checkbox"/>	NO <input type="checkbox"/>

SLIP CILL SIZING



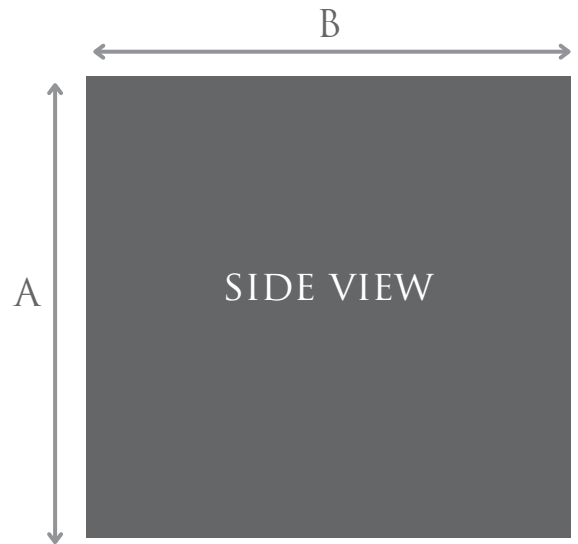
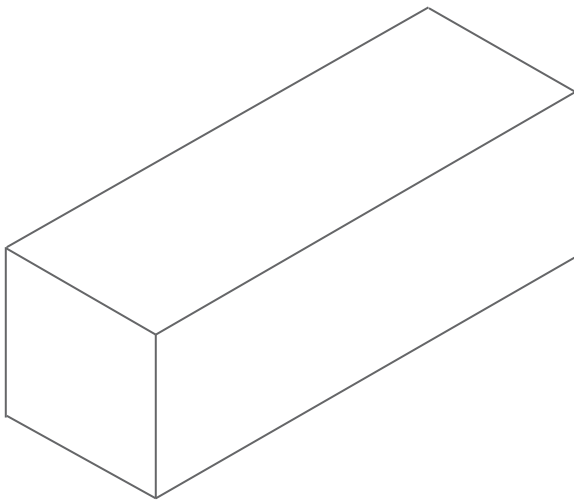
	SIZE IN MM	
A		
B		
C		
D		
E	MAX LENGTH UP TO 2100MM	
DRIP GROOVE	YES <input type="checkbox"/>	NO <input type="checkbox"/>

FOR BESPOKE SIZING, CONTACT US ON:

TEL: 01995 600551

EMAIL: INFO@STONEUK.COM

SAWN LINTEL SIZING



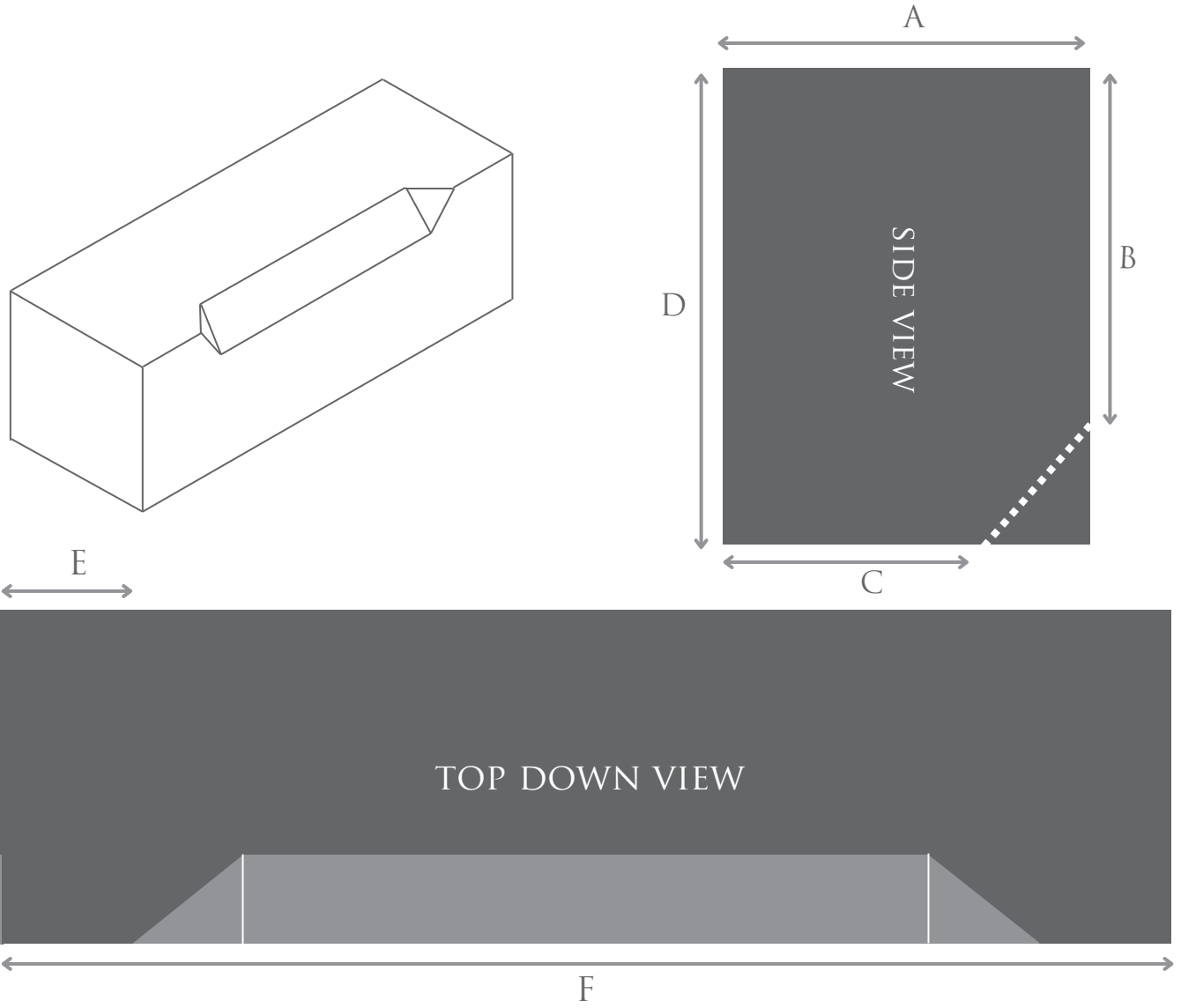
	SIZE IN MM
A	
B	
C	MAX LENGTH UP TO 2100MM

FOR BESPOKE SIZING, CONTACT US ON:

TEL: 01995 600551

EMAIL: INFO@STONEUK.COM

LINTEL WITH CHAMFER SIZING



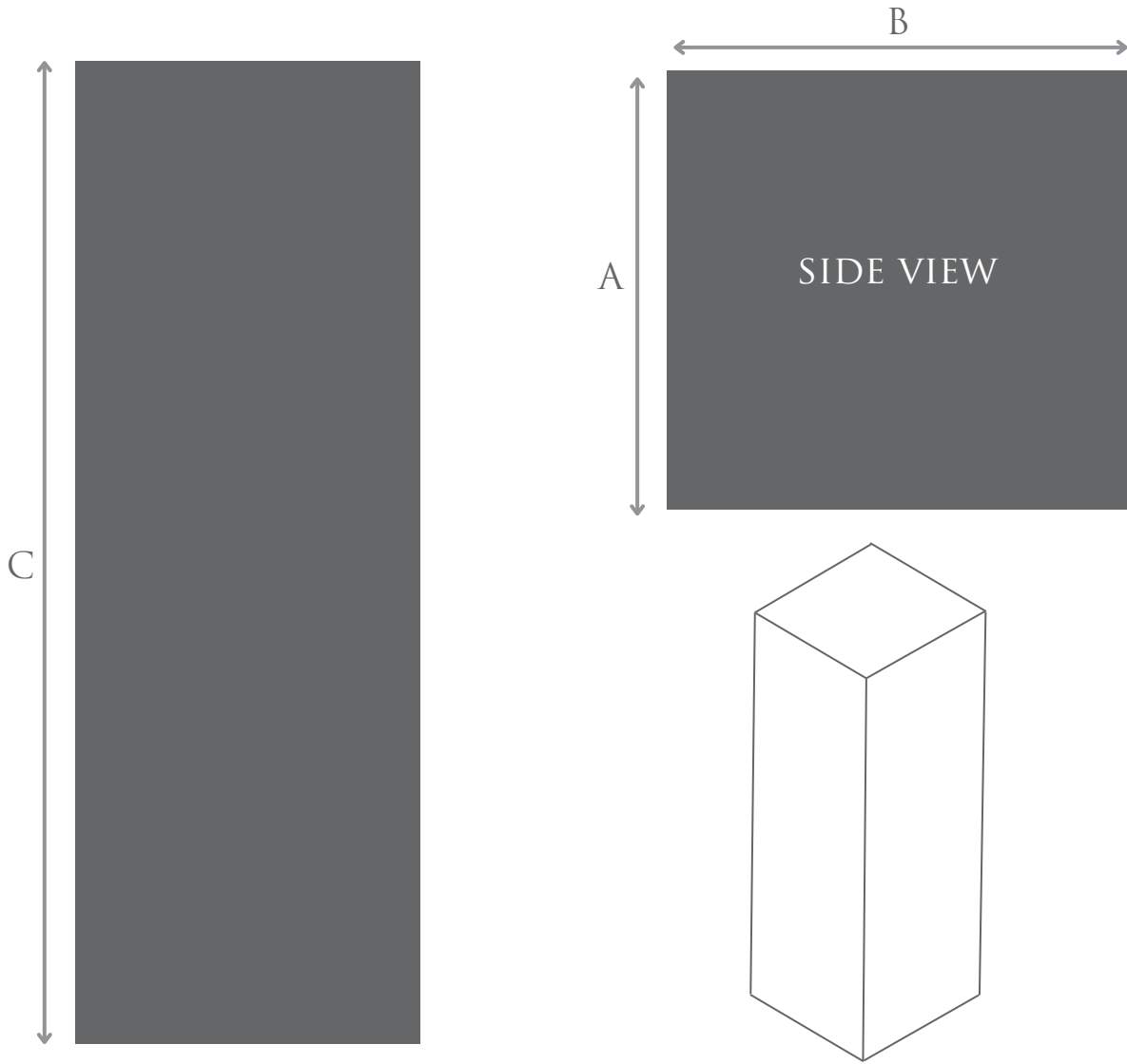
	SIZE IN MM
A	
B	
C	
D	
E	
F	MAX LENGTH UP TO 2100MM

FOR BESPOKE SIZING, CONTACT US ON:

TEL: 01995 600551

EMAIL: INFO@STONEUK.COM

JAMBS / MULLIONS SIZING



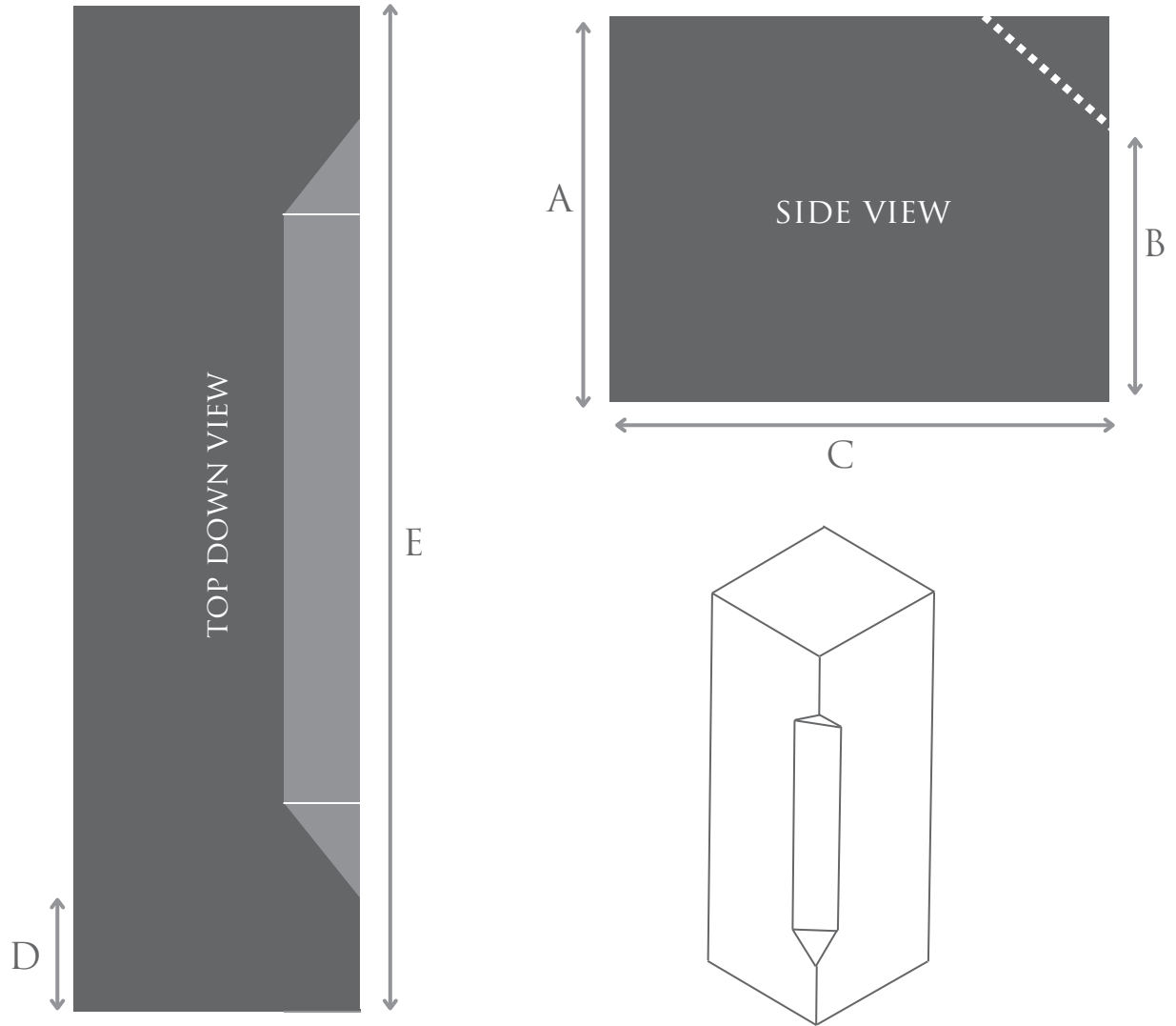
	SIZE IN MM
A	
B	
C	MAX LENGTH UP TO 2100MM

FOR BESPOKE SIZING, CONTACT US ON:

TEL: 01995 600551

EMAIL: INFO@STONEUK.COM

CHAMFERED JAMBS SIZING



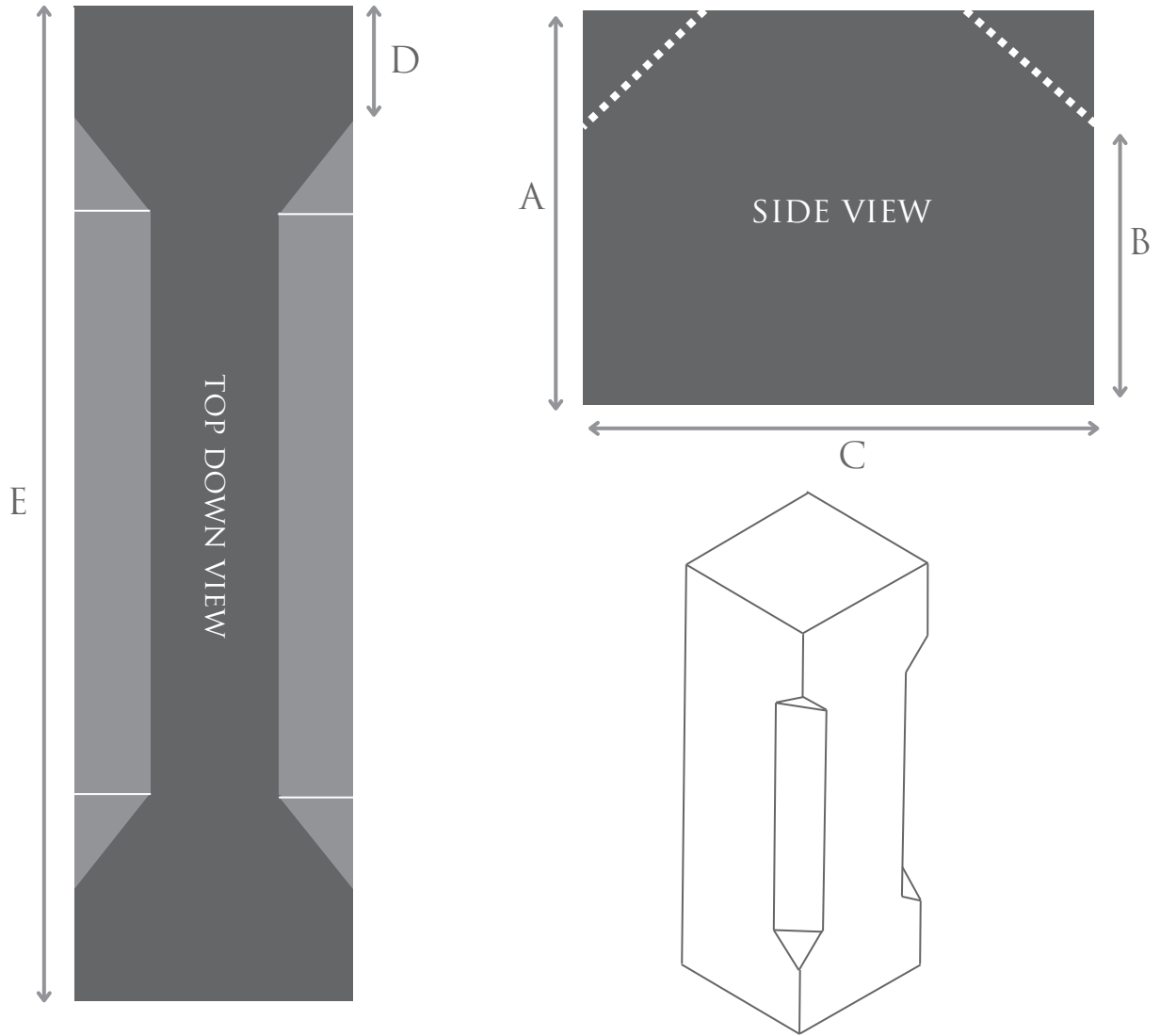
	SIZE IN MM
A	
B	
C	
D	
E	MAX LENGTH UP TO 2100MM

FOR BESPOKE SIZING, CONTACT US ON:

TEL: 01995 600551

EMAIL: INFO@STONEUK.COM

CHAMFERED MULLION SIZING



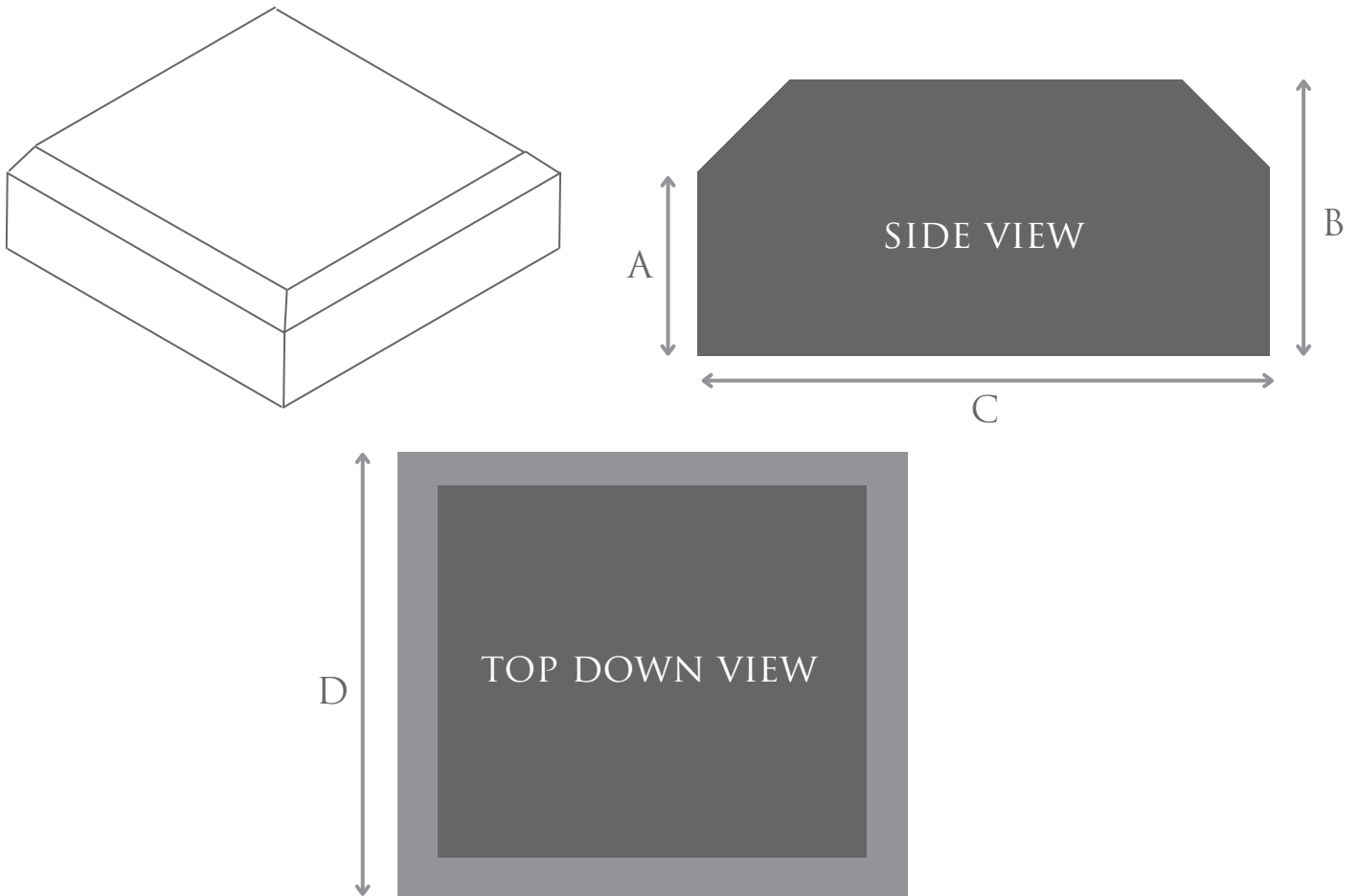
SIZE IN MM	
A	
B	
C	
D	
E	MAX LENGTH UP TO 2100MM

FOR BESPOKE SIZING, CONTACT US ON:

TEL: 01995 600551

EMAIL: INFO@STONEUK.COM

PILLAR CAPS CHAMFER SIZING



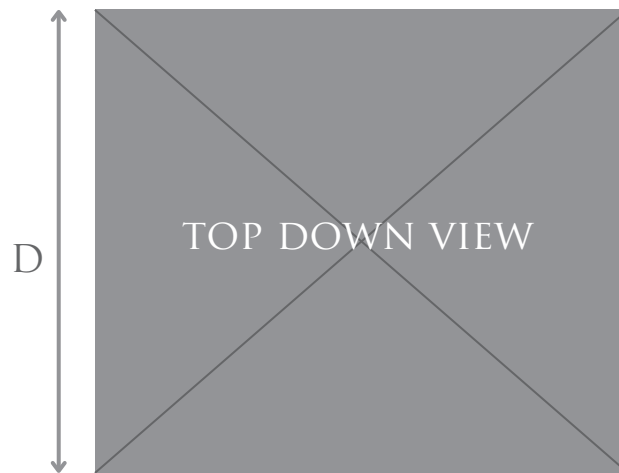
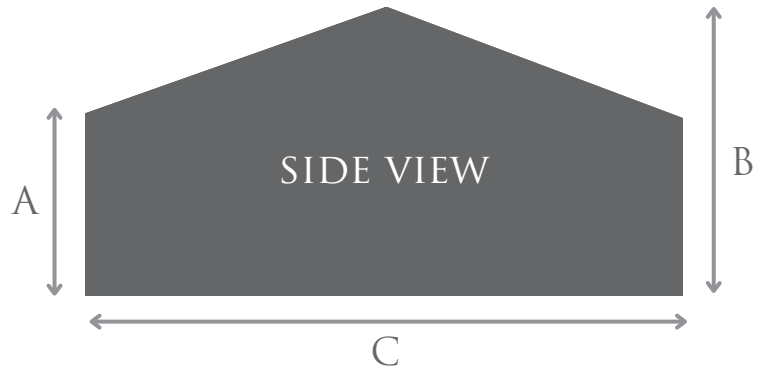
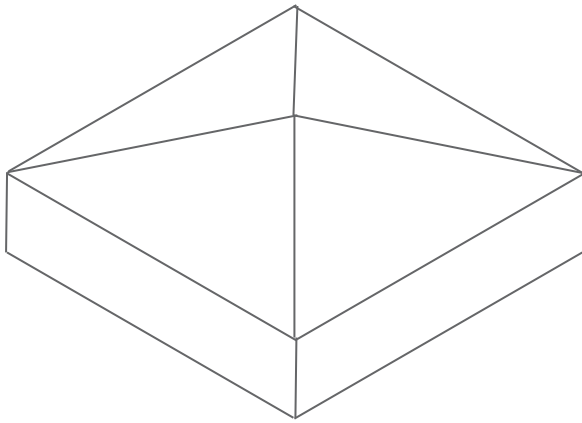
	SIZE IN MM
A	
B	
C	MAX LENGTH UP TO 600MM
D	MAX LENGTH UP TO 600MM

FOR BESPOKE SIZING, CONTACT US ON:

TEL: 01995 600551

EMAIL: INFO@STONEUK.COM

PILLAR CAPS FOUR TIMES WEATHERED SIZING



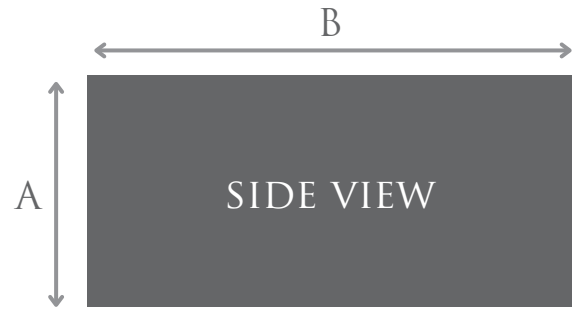
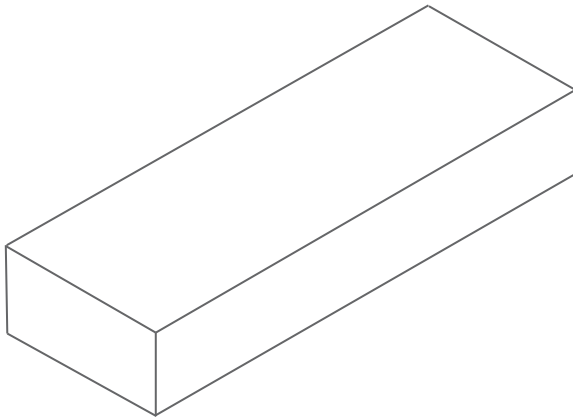
	SIZE IN MM
A	
B	
C	MAX LENGTH UP TO 600MM
D	MAX LENGTH UP TO 600MM

FOR BESPOKE SIZING, CONTACT US ON:

TEL: 01995 600551

EMAIL: INFO@STONEUK.COM

SAWN COPINGS



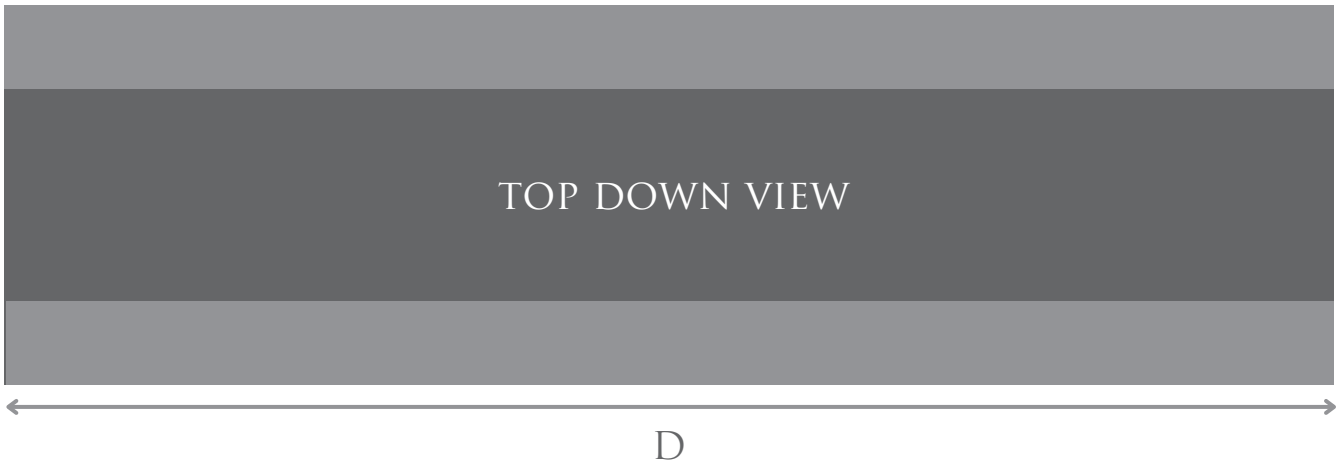
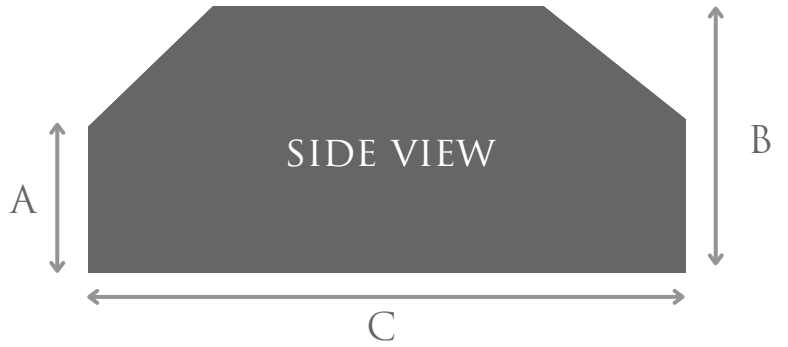
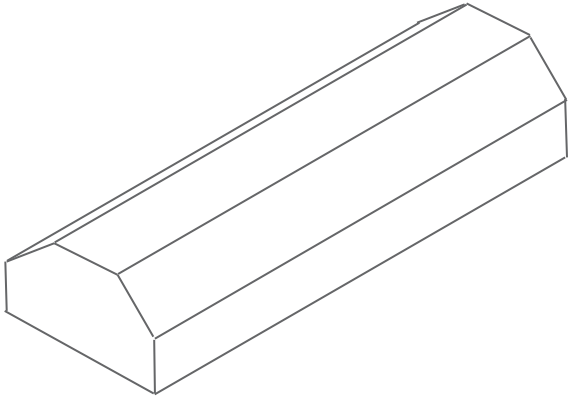
	SIZE IN MM	
A		
B	MAX LENGTH UP TO 600MM	
C	MAX LENGTH UP TO 900MM	
DRIP GROOVE	YES <input type="checkbox"/>	NO <input type="checkbox"/>

FOR BESPOKE SIZING, CONTACT US ON:

TEL: 01995 600551

EMAIL: INFO@STONEUK.COM

COPINGS - CHAMFER



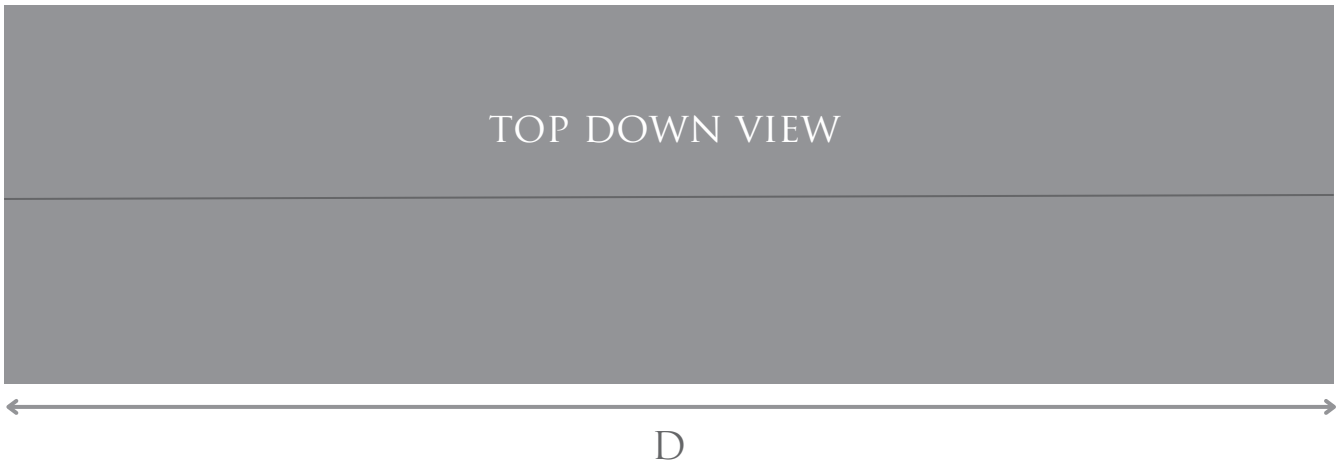
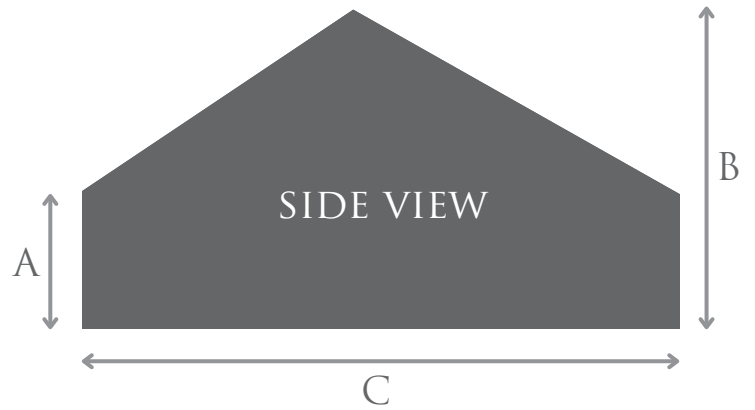
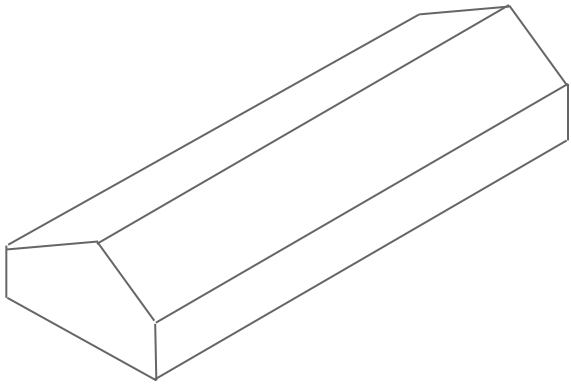
	SIZE IN MM	
A		
B		
C	MAX LENGTH UP TO 600MM	
D	MAX LENGTH UP TO 900MM	
DRIP GROOVE	YES <input type="checkbox"/>	NO <input type="checkbox"/>

FOR BESPOKE SIZING, CONTACT US ON:

TEL: 01995 600551

EMAIL: INFO@STONEUK.COM

COPINGS - TWICE WEATHERED



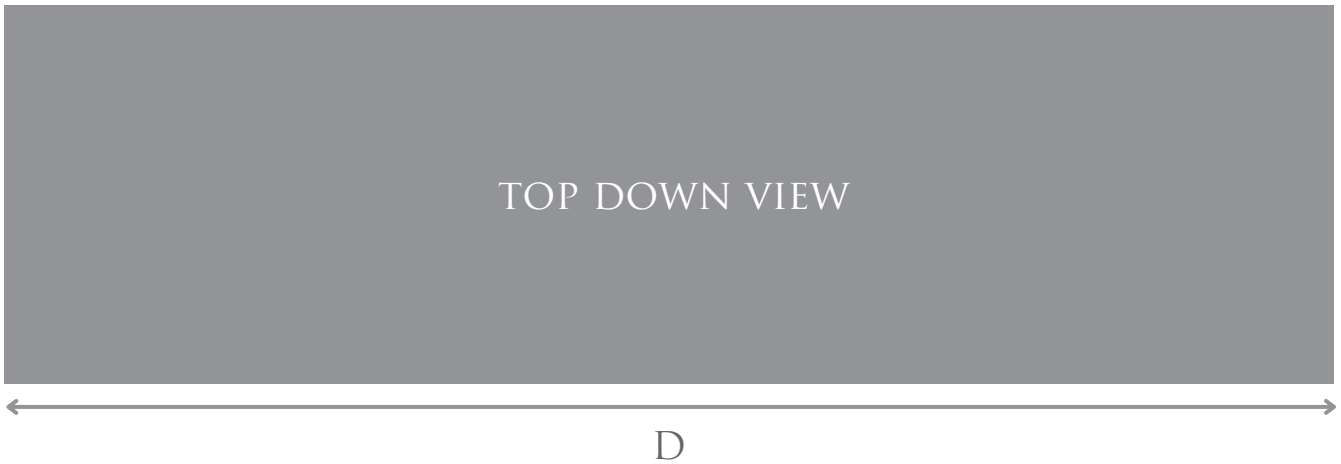
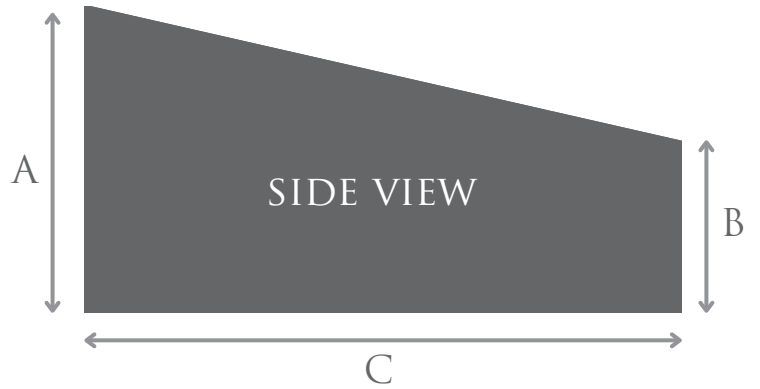
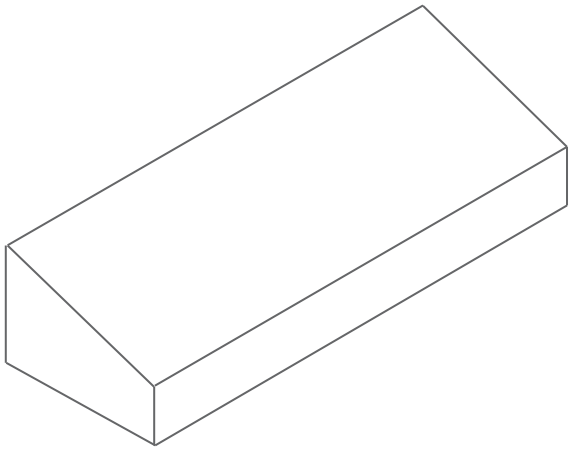
	SIZE IN MM	
A		
B		
C	MAX LENGTH UP TO 600MM	
D	MAX LENGTH UP TO 900MM	
DRIP GROOVE	YES <input type="checkbox"/>	NO <input type="checkbox"/>

FOR BESPOKE SIZING, CONTACT US ON:

TEL: 01995 600551

EMAIL: INFO@STONEUK.COM

COPINGS - ONCE WEATHERED



	SIZE IN MM	
A		
B		
C	MAX LENGTH UP TO 600MM	
D	MAX LENGTH UP TO 900MM	
DRIP GROOVE	YES <input type="checkbox"/>	NO <input type="checkbox"/>

FOR BESPOKE SIZING, CONTACT US ON:

TEL: 01995 600551

EMAIL: INFO@STONEUK.COM